

Linear actuator

CAP 43A

Benefits

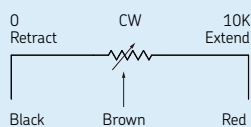
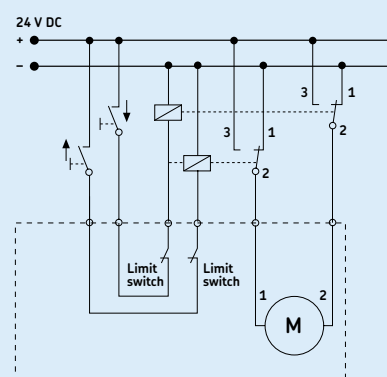
- Robust and reliable
- Long lifetime
- Wide range of components
- Right- and left-hand version
- Analogical feedback



Suitable control units and accessories

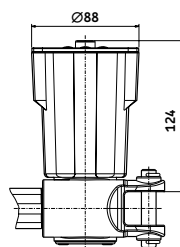
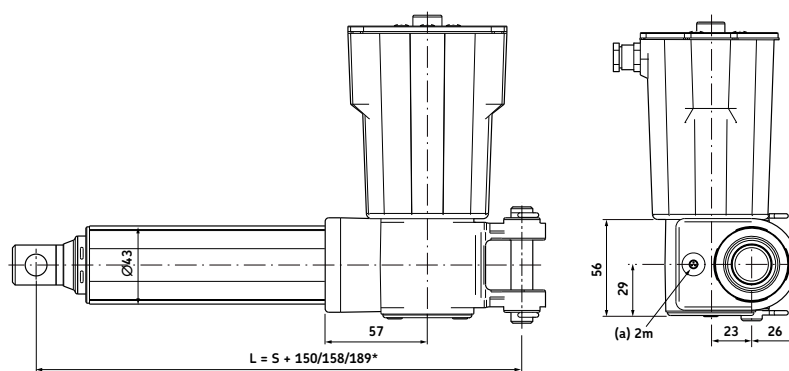
		Control units	
		CAED ANR 5-24-PO	CAED ANR 9-24-PO
	C24C		●
	C24CW	●	
	D24C		●
	D24CW	●	

Connecting diagram

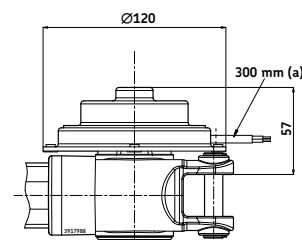


Connection diagram for linear potentiometer.

Dimensional drawing



C24C, C24CW



D24C, D24CW

Legend:

- S = stroke
- L = retracted length
- (a) = cable length

See drawings of front and rear attachments on page 286.

* Dimension depends on selected front attachment

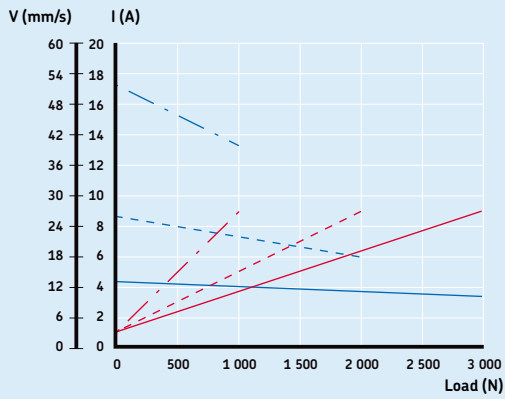
Technical data

	Unit	CAP 43A
Push load	N	1 000 to 3 000
Pull load	N	1 000 to 3 000
Speed (full load to no load)	mm/s	5 to 52 ¹⁾
Stroke	mm	100 to 400
Retracted length	mm	S+150/158/189 ²⁾
Voltage	V DC	24
Power consumption	W	N/A
Current consumption	24 V DC 24 V DCW	A A
		9 5
Duty cycle	%	15
Ambient temperature	°C	-20 to +50
Type of protection	IP	44
Weight	kg	2,0 to 2,7

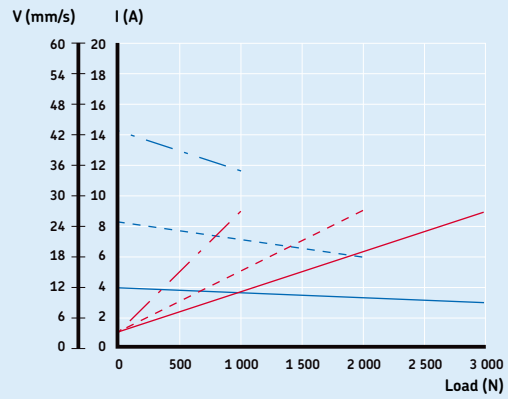
¹⁾ Depending on selected motor

²⁾ Dimension depends on selected front attachment

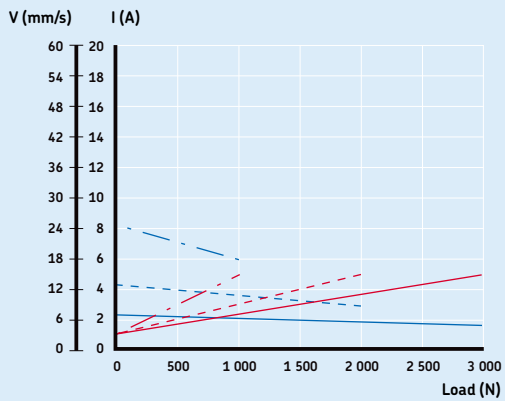
Performance diagrams



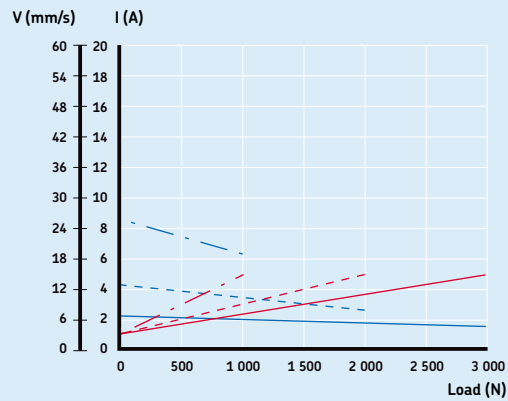
CAP 43A.../C24C



CAP 43A.../D24C



CAP 43A.../C24CW



CAP 43A.../D24CW



Duty cycle

