

CAR 22

Linear actuator

Benefits

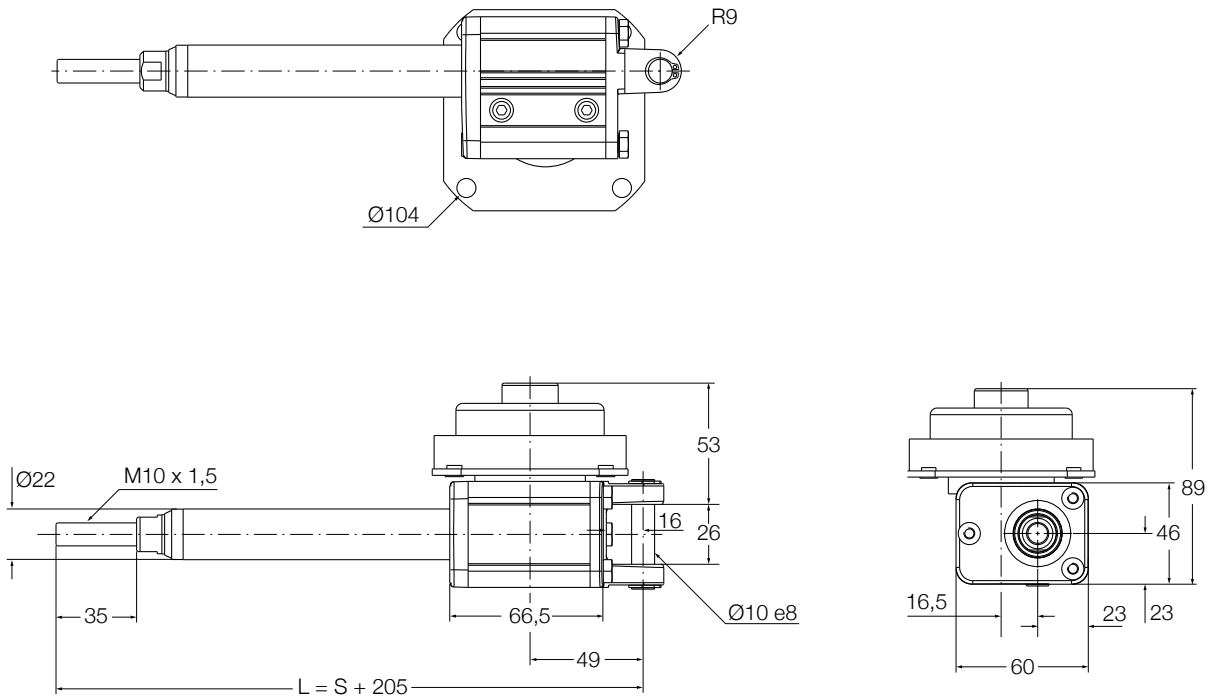
- Reliable and robust industrial actuator
- Right- and left-hand version
- Maintenance free



Technical data

	Unit	CAR 22	
Rated push load	N	1 000 to 1 500	
Rated pull load	N	1 000 to 1 500	
Speed (full load to no load)	mm/s	10 to 30	
Stroke	mm	50 to 300	
Retracted length	mm	S+ 205	
Voltage	V AC	12 or 24	
Power consumption	W	120	
Current consumption	12 V DC	A	9
	24 V DC	A	5
Duty cycle	%	25	
Ambient temperature	°C	-20 to +70	
Type of protection	IP	44	
Weight	kg	1,2 to 1,6	

Dimensional drawing

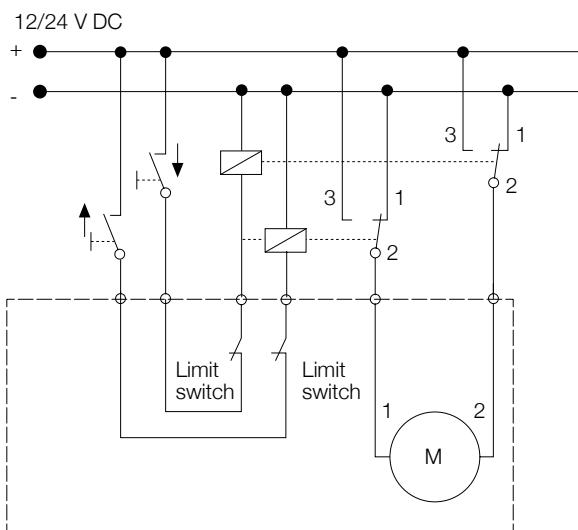


Legend:

S = stroke

L = retracted length

Connecting diagrams

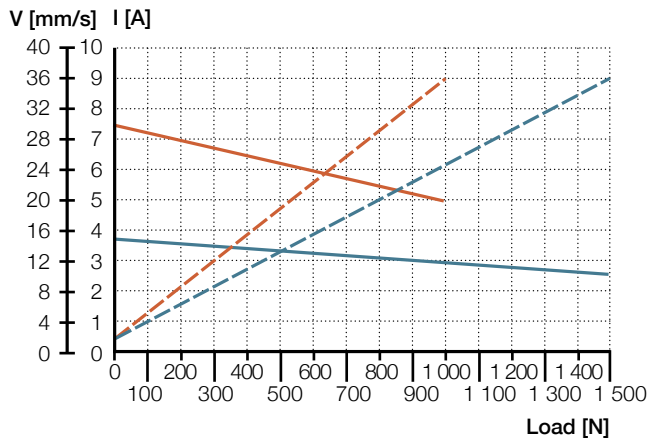


Suitable control units and accessories

	Control units	Limit switch
D12B	CAED 5-24R	CAXE 22
D24B		

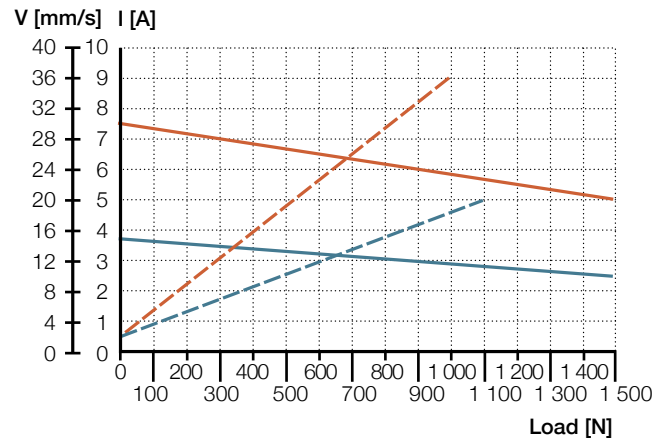
Performance diagrams

CAR 22.../D12B



Gear 1 — V (mm/s) — I (A)

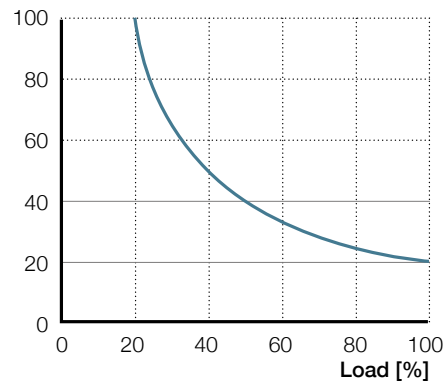
CAR 22.../D24B



Gear 2 — V (mm/s) — I (A)

Duty cycle

Duty factor [%] at 20 °C



Ordering key

Load [N] / Full Load Speed [mm/s]		Motor options	
1 500/xx	1 000/xx	No motor	0000
1 500/15-10	1 000/30-20	12 V DC, flat motor, IP44	D12B
1 500/15-10	1 000/30-20	24 V DC, flat motor, IP44	D24B

Type _____

Motor assembly _____

R Right
L Left

Stroke [S] _____

050 50 mm
100 100 mm
150 150 mm
200 200 mm
300 300 mm
--- Other stroke lengths

■ Options shown in red are only available on request. Contact Ewellix for more information on minimum quantities and additional costs.

CAR 22 – Type codes for accessories and spare parts

Item code	Type code	Order N°
12 VDC motor (flat motor)	D12B	M/0405516
24 VDC motor (flat motor)	D24B	M/0405517
Limit switch for stroke = 50 mm	CAXE 22 × 50	M/0412019
Limit switch for stroke = 100 mm	CAXE 22 × 100	M/0412020
Limit switch for stroke = 150 mm	CAXE 22 × 150	M/0412021
Limit switch for stroke = 200 mm	CAXE 22 × 200	M/0412022
Limit switch for stroke = 300 mm	CAXE 22 × 300	M/0412023
Proximity switch for CAXE	CAXE Proximity switch	M/0432369
Front mounting attachments type Rod-end	575-22	M/0430575-22
Front mounting attachments type Clevis	576-22	M/0430576-22
Rear mounting attachments type Single ear bracket	580-22	M/0430580-22
Rear mounting attachments type Ball-joint bracket	581-22	M/0430581-22
Control unit (suitable for D24B motor)	CAED 5-24R	M/0420209