

CAR 40

Linear actuator



Benefits

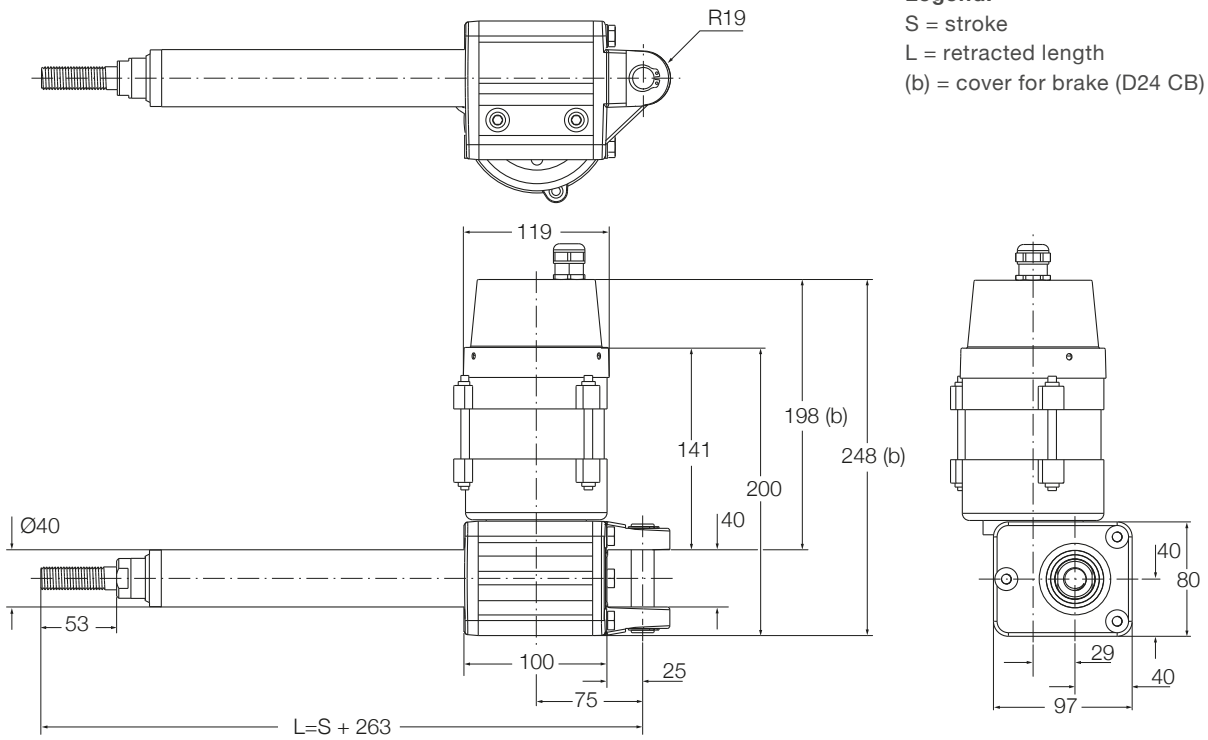
- Reliable and robust industrial actuator
- Wide range of components
- Right- and left-hand version

Technical data - AC version

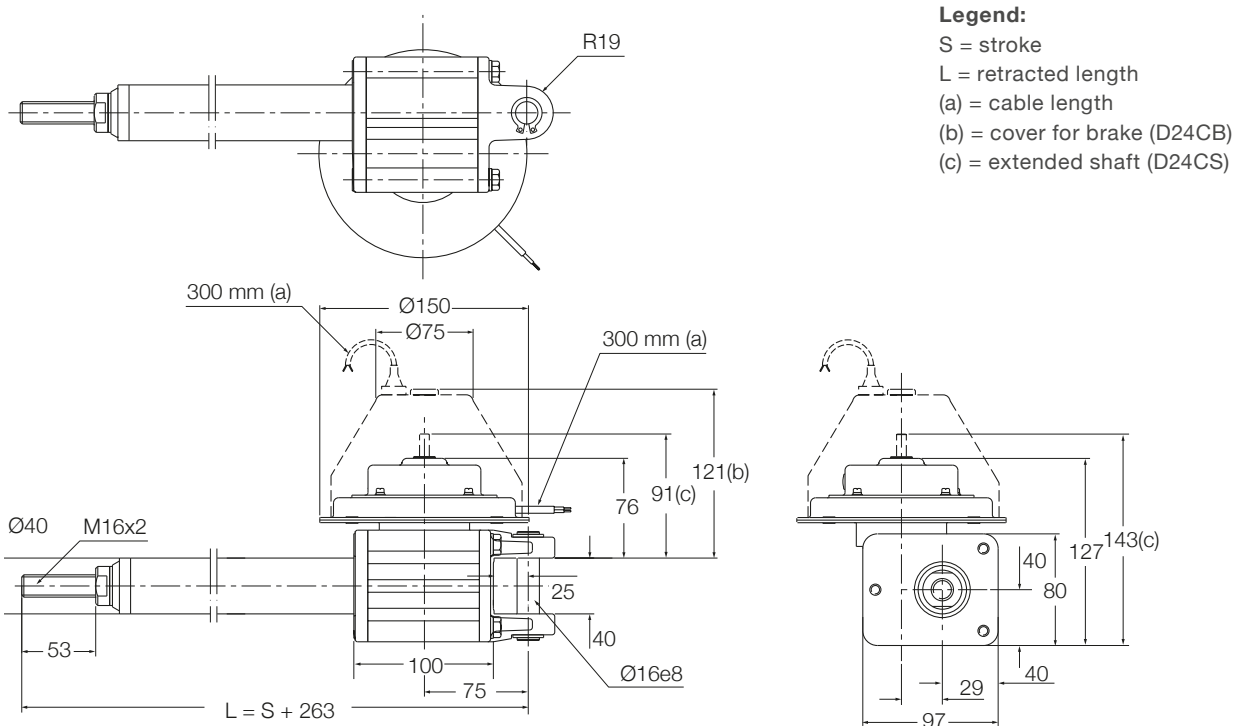
	Unit	CAR 40 - AC version	CAR 40 - DC version
Rated push load	N	2 000 to 6 000	2 000 to 6 000
Rated pull load	N	2 000 to 6 000	2 000 to 6 000
Speed (at full load)	mm/s	9 to 40 ¹⁾	10 to 60
Stroke	mm	100 to 700	100 to 700
Retracted length	mm	S+263	S+263
Voltage	V AC	120 or 230	–
	V DC	–	24
Power consumption	120 V AC W	360	–
	230 V AC W	299	–
	24 V DC W	–	N/A
Current consumption	120 V AC A	3 (brake +0,29 A)	–
	230 V AC A	1,3 (brake +0,11 A)	–
	24 V DC A	–	16
Duty cycle	%	40	25
Ambient temperature	°C	–20 to +70	–20 to +70
Type of protection	IP	20/54	20/44
Weight	kg	5,8 to 8,4	5,8 to 8,4

¹⁾ Depending on selected motor

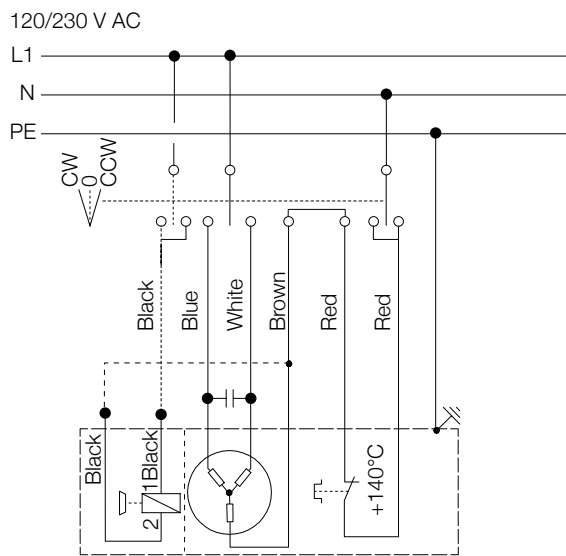
Dimensional drawing – AC version



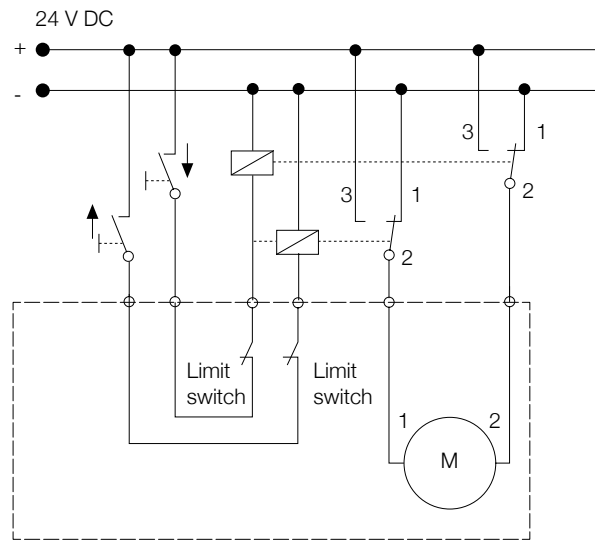
Dimensional drawing – DC version



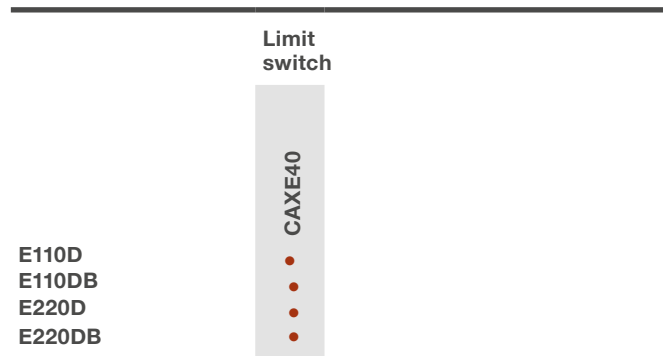
Connecting diagrams – AC version



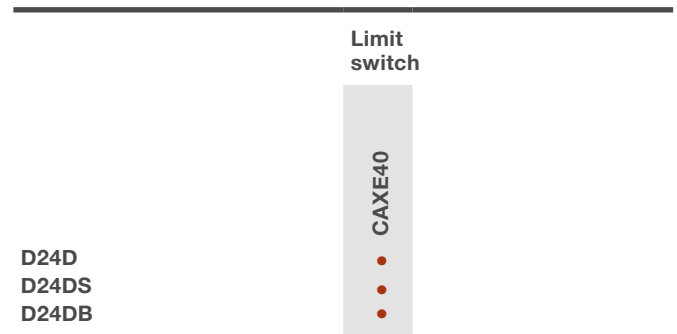
Connecting diagrams – DC version



Suitable control unit and accessories AC version



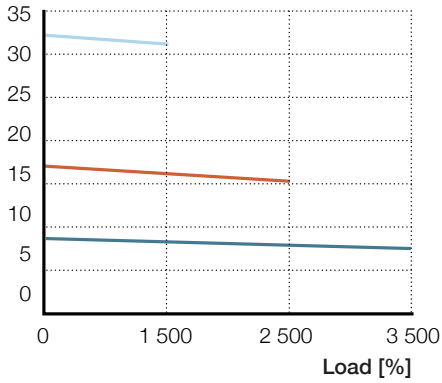
Suitable control unit and accessories DC version



Performance diagrams – AC version

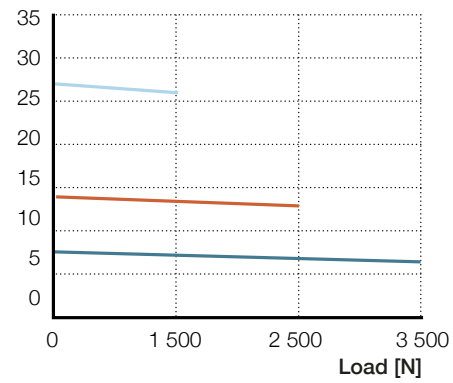
Speed-load diagram CAR 40 ... 120 V AC

Duty factor [%] at 20 °C



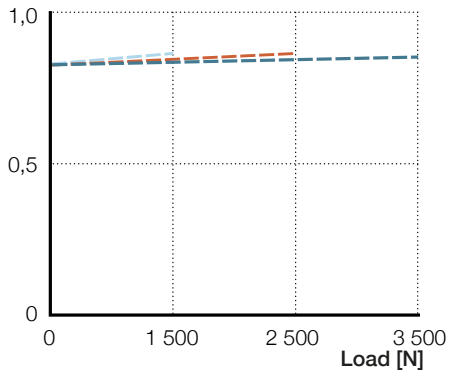
Speed-load diagram CAR 40 ... 230 V AC

Speed [mm/s]



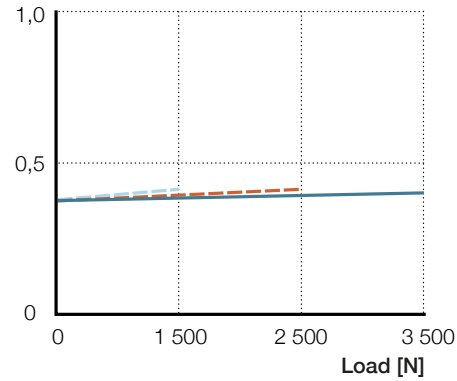
Current-load diagram CAR 40 ... 120 V AC

Current consumption [A]



Current-load diagram CAR 40 .. 230 V AC

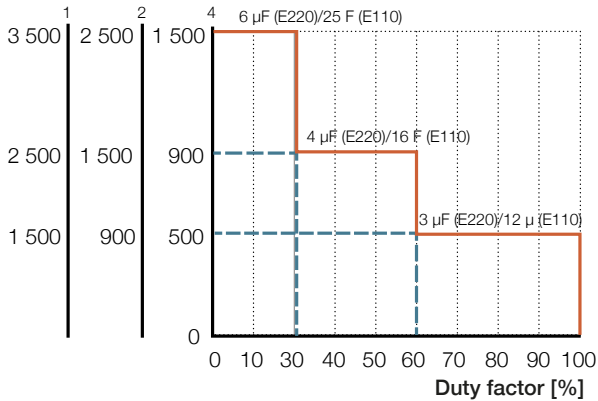
Current consumption [A]



Gear 1 — V (mm/s) — I (A) **Gear 2** — V (mm/s) — I (A) **Gear 4** — V (mm/s) — I (A)

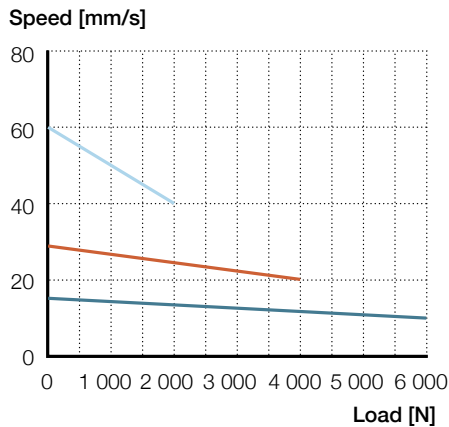
Duty cycle – AC version

F [N] Gear

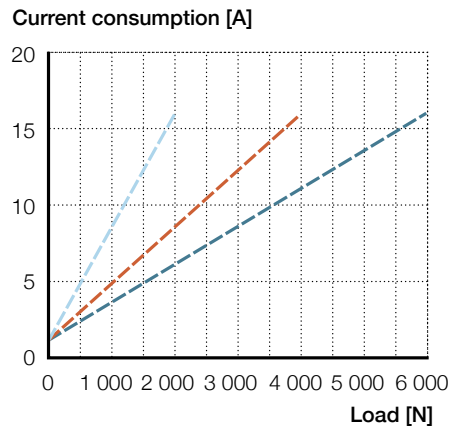


Performance diagrams – DC version

Speed-load diagram CAR 40 ... 24 V DC



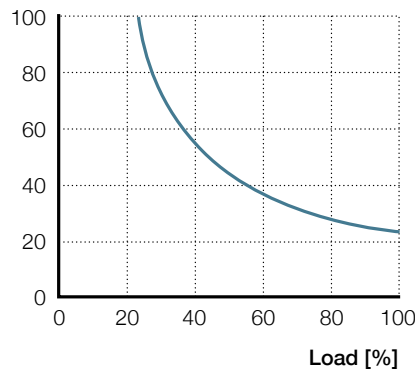
Current-load diagram CAR 40 ... 24 V DC



Gear 1 — V (mm/s) — I (A) Gear 2 — V (mm/s) — I (A) Gear 4 — V (mm/s) — I (A)

Duty cycle – DC version

Duty factor [%] at 20 °C



CAR 40 – Type codes for accessories and spare parts

Item code	Type code	Order N°
24 V DC motor (flat motor)	D24D	M/0405524
24 V DC motor (flat motor with extended shaft)	D24DS	M/0405526
24 V DC motor (flat motor with brake)	D24DB	M/0405525
120 V AC motor (cylindrical motor)	E110D	M/0405529
120 V AC motor (cylindrical motor with brake)	E110DB	M/0405530
230 V AC motor (cylindrical motor) E220D M/0405527	590-40	M/0430590-40
230 V AC motor (cylindrical motor with brake)	E220DB	M/0405528
Capacitor value 12 µF (230 VAC-motor)	Capacitor 12 µF	M/0430670-04
Limit switch for stroke =100 mm	CAXE 40 × 100	M/0412051
Limit switch for stroke =300 mm	CAXE 40 × 300	M/0412054
Limit switch for stroke =500 mm	CAXE 40 × 500	M/0412056
Limit switch for stroke =700 mm	CAXE 40 × 700	M/0412057
Proximity switch for CAXE	CAXE Proximity switch	M/0432369
Front mounting attachments type Rod-end	575-40	M/0430575-40
Front mounting attachments type Clevis	576-40	M/0430576-40
Rear mounting attachments type Single ear bracket	590-40	M/0430590-40
Rear mounting attachments type Ball-joint bracket	581-40	M/0430581-40

