

Linear actuator

CARE 33

Benefits

- Silent operation
- Multiple speed/load variants
- Easy to adjust limit switches
- Different attachment options
- Digital encoder feedback



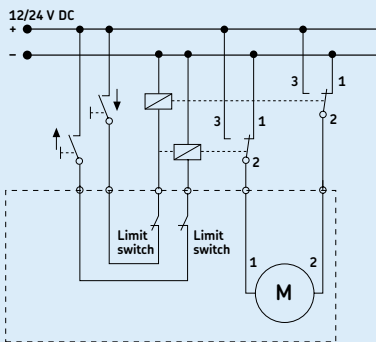
Suitable control units and accessories

	Control units					Limit switch	Feed-back	
	VCU 5	VCU 8	VCU 9	BCU 5	BCU 8	CAED 5-24R	CAXC 33 ¹⁾	Dual encoder ²⁾
CARE 33A 24V	•	•	•	•	•	•	•	•
CARE 33M 24V						•	•	•
CARE 33H 24V						•		
CAES 31C								•
EHA 3	•	•	•	•	•			
STJ	•	•	•	•	•			
STE	•	•	•	•	•			

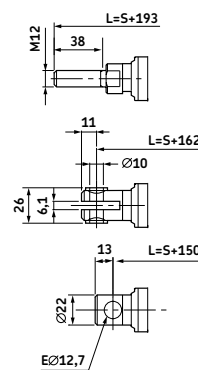
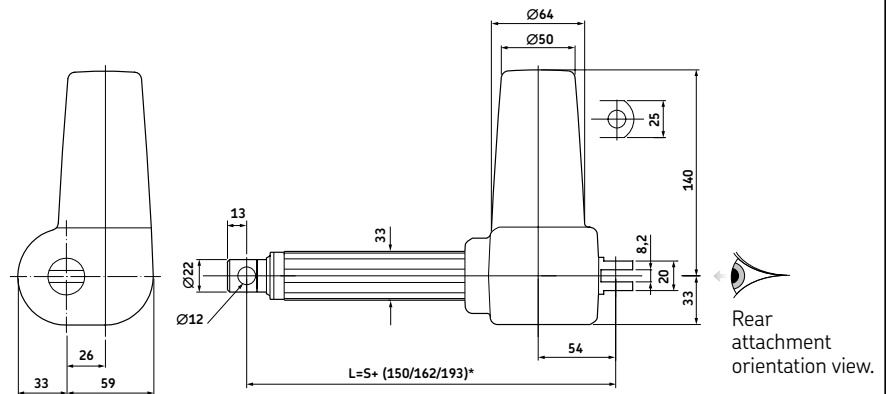
- Hand switch
- Foot switch
- Desk switch

¹⁾See page 394
²⁾See page 397

Connecting diagram



Dimensional drawing



* Dimension depends on selected front attachment

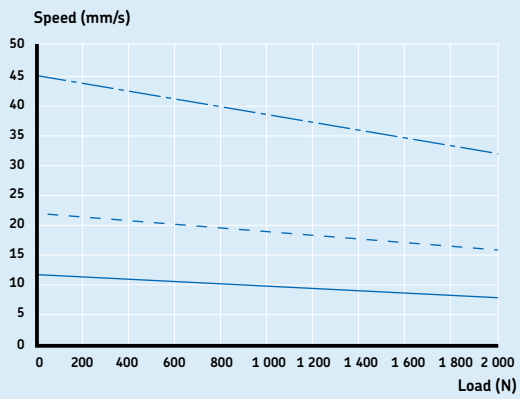
Legend:
S = stroke
L = retracted length

Technical data

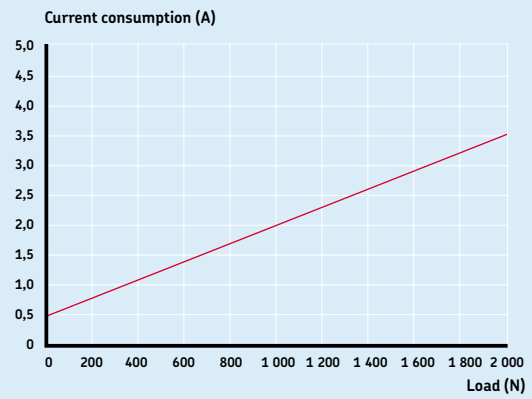
	Unit	CARE 33A	CARE 33M	CARE 33H
Push load	N	2 000	1 400	800
Pull load	N	2 000	1 400	800
Speed (full load to no load)	mm/s	8 to 12 ¹⁾	16 to 22 ¹⁾	32 to 45 ¹⁾
Stroke	mm	50 to 300	50 to 500	50 to 500
Retracted length	mm	S+150/162/193 ²⁾	S+150/162/193 ²⁾	S+150/162/193 ²⁾
Voltage	V DC	24	24	24
Power consumption	W	N/A	N/A	N/A
Current consumption	A	3,5	3,5	3,5
Duty cycle	%	15	20	30
Ambient temperature	°C	-10 to +50	-10 to +50	-10 to +50
Type of protection	IP	44/65	44/65	44/65
Weight	kg	1,5 to 2,0	1,5 to 2,0	1,5 to 2,0
Color	-	Black	Black	Black

¹⁾ Depending on selected motor
²⁾ Dimension depends on selected front attachment

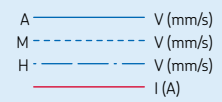
Performance diagrams



Speed-load diagram



Current-load diagram



Ordering key

C A R E 3 3

Type

Load:

2 000 N
1 400 N
800 N

A
M
H

Stroke (S):

50 mm
100 mm
150 mm
200 mm
300 mm
400 mm (not possible for CARE 33A)
500 mm (not possible for CARE 33A)
Other stroke lengths

050
100
150
200
300
400
500

Front attachment:

Hole, Ø=12,0 mm
Hole, Ø=12,7 mm
Hole 10 mm, slot 6,1 mm (retracted length, L=S+162 mm)
Male thread M12 (retracted length, L=S+193 mm)

1
2
3
4

Rear attachment:

Hole, Ø=12,0 mm
Hole, Ø=12,7 mm
Hole, Ø=8,0 mm
Hole, Ø=10,0 mm

1
2
3
4

Type of protection:

IP65
IP44

1
2

Feedback:

No option
Dual encoder

0
1

Cable/Connection plug:

Straight, 2,0 m, no plug
Coiled, 2,0 m, jack plug
Straight, 2,0 m, DIN 8 plug (for 2-channel encoder)
Straight, 2,0 m, jack plug
Straight, 2,5 m, DIN8 plug BCU/VCU (ONLY available for CARE 33A)

1
2
3
5
C5

Orientation of rear attachment:

0°
15° clockwise
30° clockwise
45° clockwise
60° clockwise
75° clockwise
90° clockwise
105° clockwise
120° clockwise
130° clockwise
150° clockwise
165° clockwise

000
015
030
045
060
075
090
105
120
130
150
165

Voltage:

24 V DC

24

Self locking feature (mandatory when selecting load version "H" or "M"):

No self locking required
Self locking for pull load
Self locking for push load

0
1
2

Options written in italic fonts are only available on demand. Please contact SKF.

© SKF is a registered trademark of the SKF Group

© SKF Group 2009

The contents of this publication are the copyright of the publisher and may not be reproduced (even extracts) unless prior written permission is granted. Every care has been taken to ensure the accuracy of the information contained in this publication but no liability can be accepted for any loss or damage whether direct, indirect or consequential arising out of the use of the information contained herein.

Printed in Sweden on environmentally friendly paper.

PUB MT/P8 10375 EN · November 2009

