

# Linear actuator

CAR 22

## Benefits

- Industrial reliable and robust actuator
- Right- and left-hand version



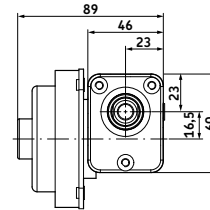
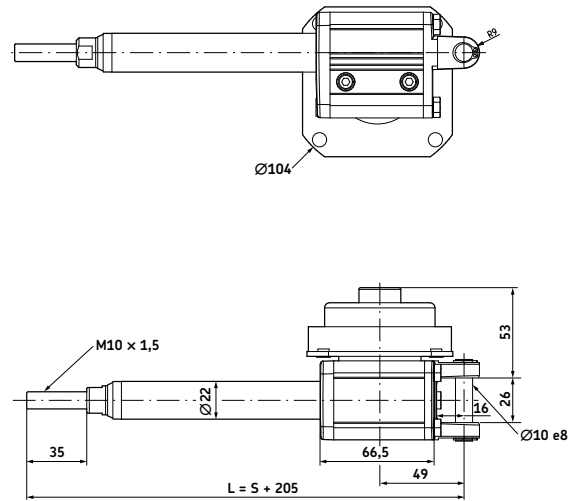
Suitable control units and accessories

	Control unit	Limit switch
	CAED 5-24R	CAXB 22*
	D12B	●
	D24B	●
	CAES 31C	●

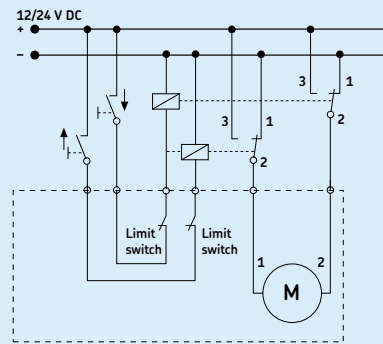
-  Hand switch
-  Foot switch
-  Desk switch

\* See page 379

Dimensional drawing



Connecting diagram

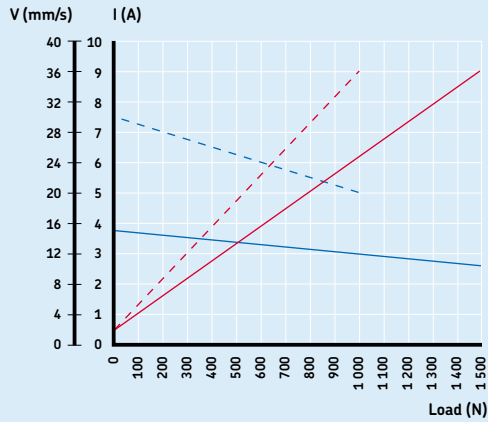


Legend:  
S = stroke  
L = retracted length

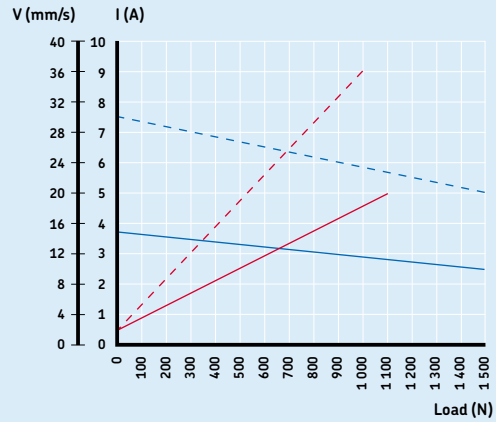
Technical data

	Unit	CAR 22
Rated push load	N	1 000 to 1 500
Rated pull load	N	1 000 to 1 500
Speed (full load to no load)	mm/s	10 to 30
Stroke	mm	50 to 300
Retracted length	mm	S+ 205
Voltage	V DC	12 or 24
Power consumption	W	N/A
Current consumption	12 V DC 24 V DC	A 9 5
Duty cycle	%	25
Ambient temperature	°C	-20 to +70
Type of protection	IP	44
Weight	kg	1,2 to 1,6

Performance diagrams



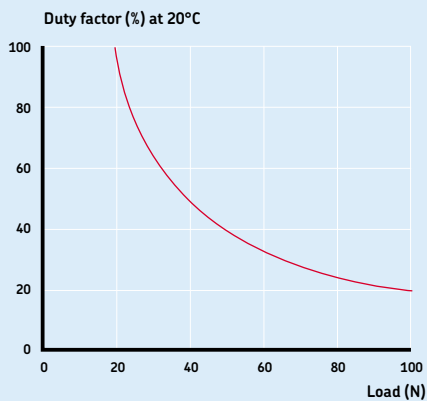
CAR 22.../D12B

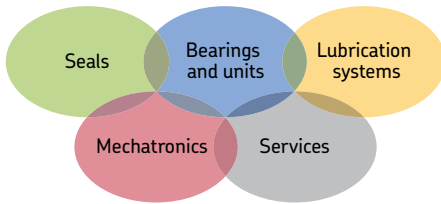


CAR 22.../D24B

Gear 1 — V (mm/s)  
 — I (A)  
 Gear 2 - - - V (mm/s)  
 - - - I (A)

Duty cycle





### The Power of Knowledge Engineering

Drawing on five areas of competence and application-specific expertise amassed over more than 100 years, SKF brings innovative solutions to OEMs and production facilities in every major industry worldwide. These five competence areas include bearings and units, seals, lubrication systems, mechatronics (combining mechanics and electronics into intelligent systems), and a wide range of services, from 3-D computer modelling to advanced condition monitoring and reliability and asset management systems. A global presence provides SKF customers uniform quality standards and worldwide product availability.

#### Ordering key

Dynamic load (N) / Speed (mm/s)		Motor options	
1 500/xx	1 000/xx	No motor	0000
1 500/15-10	1 000/30-20	12 V DC, flat motor, IP44	D12B
1 500/15-10	1 000/30-20	24 V DC, flat motor, IP44	D24B
<b>1</b>	<b>2</b>		

C A R [ ] 2 2 X [ ] X [ ] / [ ] [ ] [ ] [ ]

#### Type

#### Motor assembly:

Right  
Left

R  
L

#### Stroke (S):

50 mm  
100 mm  
150 mm  
200 mm  
300 mm  
*Other stroke lengths*

050  
100  
150  
200  
300  
---

*Options shown in italics are only available on demand. Contact SKF for more information on minimum quantities and additional costs.*

© SKF is a registered trademark of the SKF Group

© SKF Group 2010

The contents of this publication are the copyright of the publisher and may not be reproduced (even extracts) unless prior written permission is granted. Every care has been taken to ensure the accuracy of the information contained in this publication but no liability can be accepted for any loss or damage whether direct, indirect or consequential arising out of the use of the information contained herein.

PUB MT/P8 1098 EN · August 2010

Printed in Sweden on environmentally friendly paper.

