

# Linear actuator

CAR 32

## Benefits

- Industrial reliable and robust actuator
- Wide range of components
- Right- and left-hand version



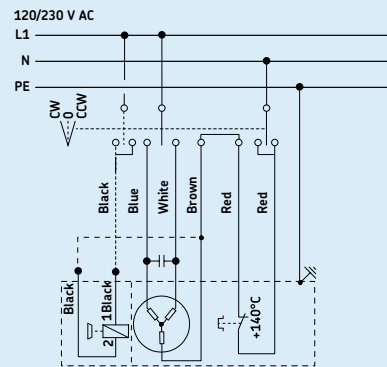
Suitable control units and accessories

	Control unit	Limit switch
	CAEV 110/220	CAXB 32*
	E110C	●
	E110CB	●
	E220C	●
	E220CB	●
	CAES 31C	●

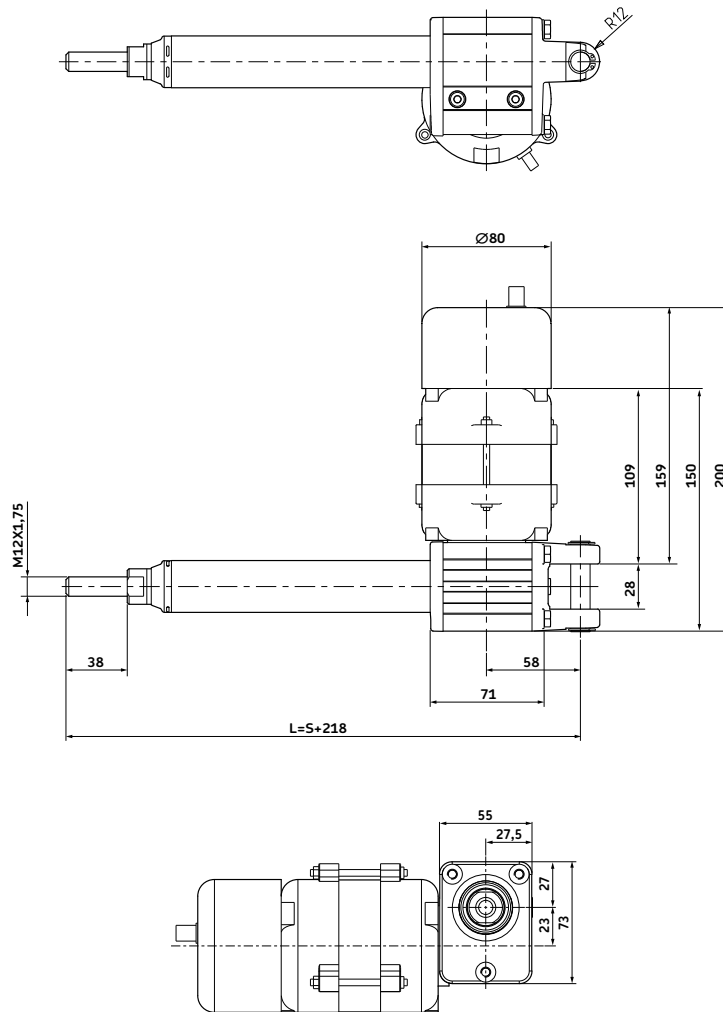
- Hand switch
- Foot switch
- Desk switch

\* See page 379

Connecting diagram – AC version



Dimensional drawing – AC version



Legend:  
S = stroke  
L = retracted length




Technical data

	Unit	CAR 32 – AC version
Rated push load	N	1 500 to 3 500
Rated pull load	N	1 500 to 3 500
Speed (at full load)	mm/s	6 to 32*
Stroke	mm	50 to 700
Retracted length	mm	S + 218
Voltage	V AC	120 or 230
Power consumption	120 V AC W	98 (brake 133,2 W)
	230 V AC W	92 (brake 117,3 W)
Current consumption	120 V AC A	0,82 (brake +0,29 A)
	230 V AC A	0,4 (brake + 0,11 A)
Duty cycle	%	30
Ambient temperature	°C	-20 to +70
Type of protection	IP	20/54
Weight	kg	2,1 to 3,7

\* Depending on selected motor

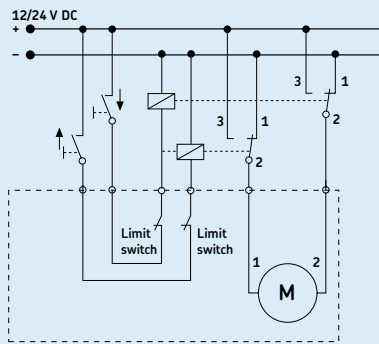
Suitable control units and accessories

	Control units	Limit switch
	CAED 5-24R	CAXB 32*
	CAED 9-24R	
D12C		
D24C		
D24CW		
D24CS		
D24CB		
CAES 31C		

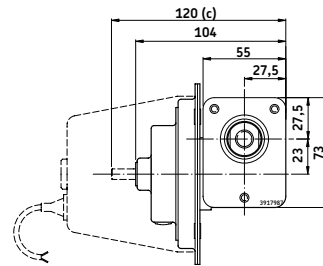
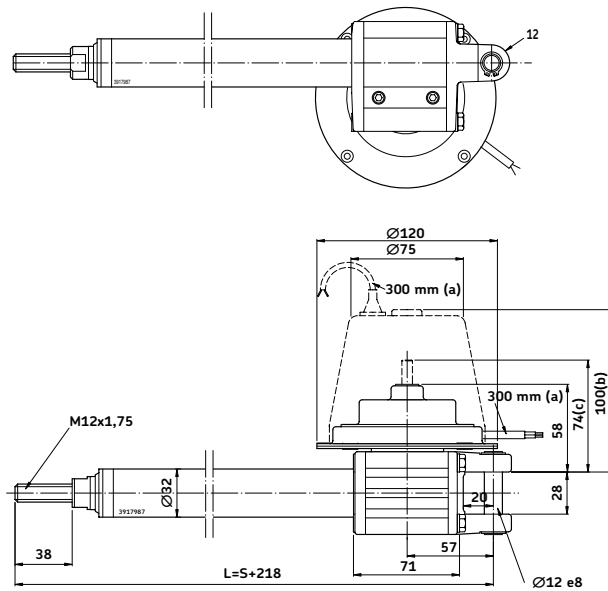
 Hand switch  
 Foot switch  
 Desk switch

\* See page 379

Connecting diagram – DC version



Dimensional drawing – DC version

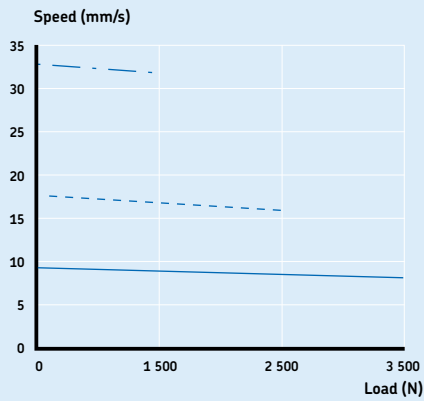


Legend:  
 S = stroke  
 L = retracted length  
 (a) = cable length  
 (b) = cover for brake (D24CB)  
 (c) = extended shaft (D24CS)

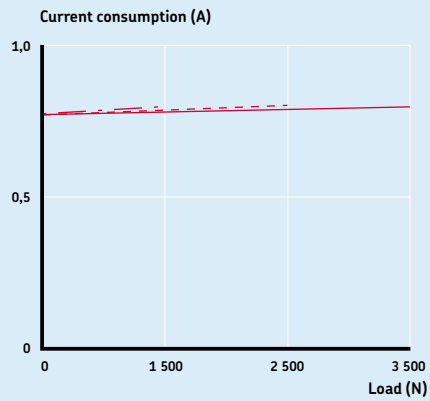
Technical data

	Unit	CAR 32 – DC version
Rated push load	N	1 000 to 3 500
Rated pull load	N	1 000 to 3 500
Speed (full load to no load)	mm/s	5 to 60
Stroke	mm	50 to 700
Retracted length	mm	S+ 218
Voltage	V DC	12 or 24
Power consumption	W	N/A
Current consumption	A	13
	12 V DC	8
	24 V DC	5 (for motor D24CW)
Duty cycle	%	25
Ambient temperature	°C	-20 to +70
Type of protection	IP	20/44
Weight	kg	2,1 to 3,7

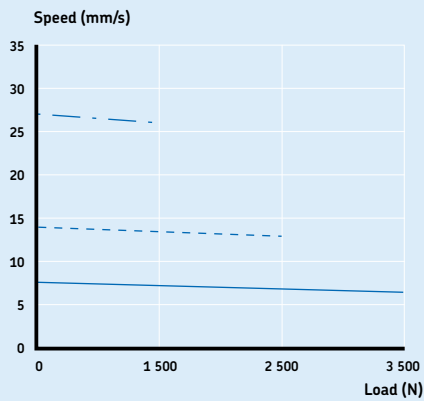
Performance diagrams – AC version



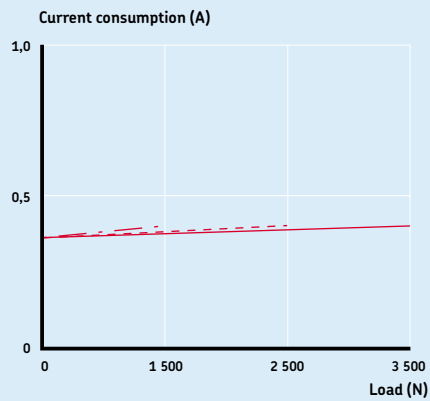
Speed-load diagram CAR 32 ... 120 VAC



Current-load diagram CAR 32 ... 120 VAC



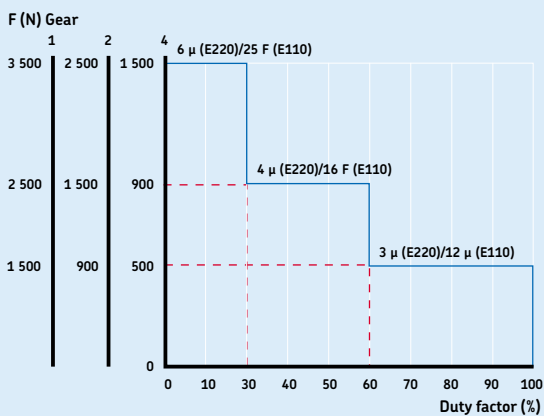
Speed-load diagram CAR 32 ... 230 VAC



Current-load diagram CAR 32 ... 230 VAC

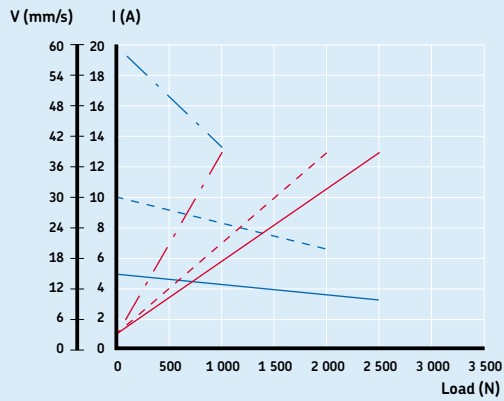


Duty cycle

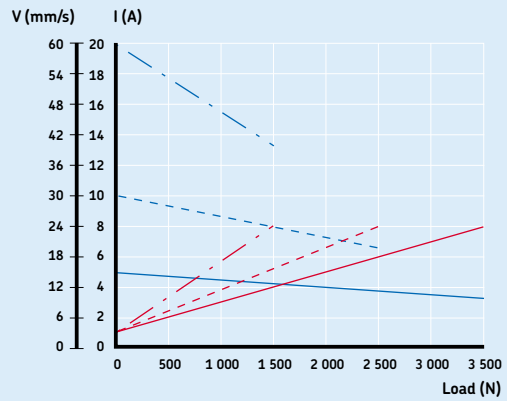


CAR 32 ... 230/120 VAC

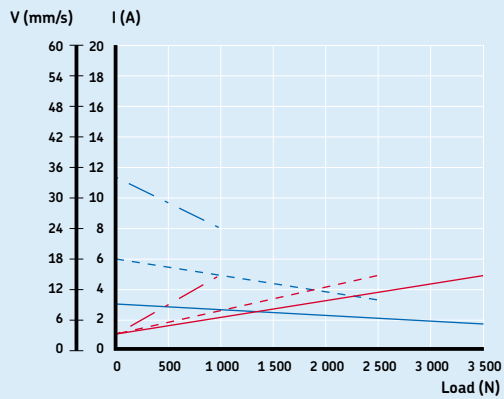
Performance diagrams – DC version



CAR 32.../D12C



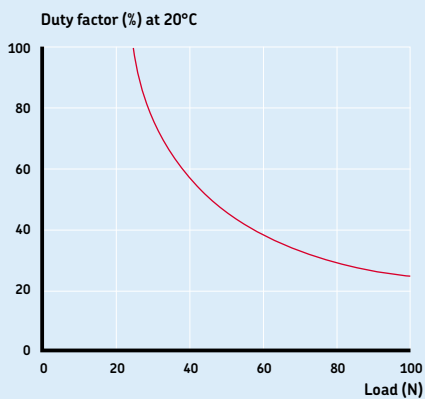
CAR 32.../D24C/D24CS/D24CB

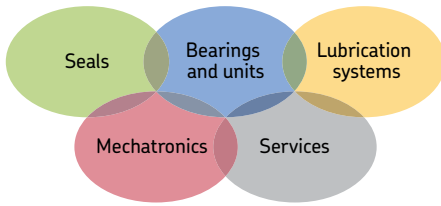


CAR 32.../D24CW



Duty cycle



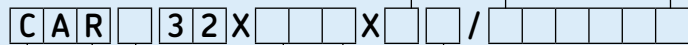


**The Power of Knowledge Engineering**

Drawing on five areas of competence and application-specific expertise amassed over more than 100 years, SKF brings innovative solutions to OEMs and production facilities in every major industry world-wide. These five competence areas include bearings and units, seals, lubrication systems, mechatronics (combining mechanics and electronics into intelligent systems), and a wide range of services, from 3-D computer modelling to advanced condition monitoring and reliability and asset management systems. A global presence provides SKF customers uniform quality standards and worldwide product availability.

**Ordering key**

Dynamic load (N) / Speed (mm/s)			Motor options	
3 500/xx	2 500/xx	1 500/xx	No motor	0000
3 500/8	2 500/16	1 500/32	120 V AC/60 Hz, 1-phase, IP54	E110C
3 500/8	2 500/16	1 500/32	120 V AC/60 Hz, 1-phase, brake, IP20	E110CB
3 500/6	2 500/13	1 500/26	230 V AC/50 Hz, 1-phase, IP54	E220C
3 500/6	2 500/13	1 500/26	230 V AC/50 Hz, 1-phase, brake, IP20	E220CB
3 500/xx	2 500/xx	1 500/xx	No motor	0000
2 500/15-10	2 000/30-20	1 000/60-40	12 V DC, flat motor, IP44	D12C
3 500/15-10	2 500/30-20	1 500/60-40	24 V DC, flat motor, IP44	D24C
3 500/9-5	2 500/18-10	1 500/34-24	24 V DC, flat motor, low speed, IP44	D24CW
3 500/15-10	2 500/30-20	1 500/60-40	24 V DC, flat motor, extended shaft, IP44	D24CS
3 500/15-10	2 500/30-20	1 500/60-40	24 V DC, flat motor, brake, IP20	D24CB
<b>1</b>	<b>2</b>	<b>4</b>		



**Type**

**Motor assembly:**

Right  
Left

R  
L

**Stroke (S):**

50 mm  
100 mm  
200 mm  
300 mm  
500 mm  
700 mm  
*Other stroke lengths*

050  
100  
200  
300  
500  
700  
---

**Option:**

Friction clutch  
Back-up nut

F  
S

*Options shown in italics are only available on demand. Contact SKF for more information on minimum quantities and additional costs.*

© SKF is a registered trademark of the SKF Group

© SKF Group 2010

The contents of this publication are the copyright of the publisher and may not be reproduced (even extracts) unless prior written permission is granted. Every care has been taken to ensure the accuracy of the information contained in this publication but no liability can be accepted for any loss or damage whether direct, indirect or consequential arising out of the use of the information contained herein.

PUB MT/P8 10973 EN · August 2010

Printed in Sweden on environmentally friendly paper.

