

# Linear actuator

CAR 40

## Benefits

- Industrial reliable and robust actuator
- Wide range of components
- Right- and left-hand version



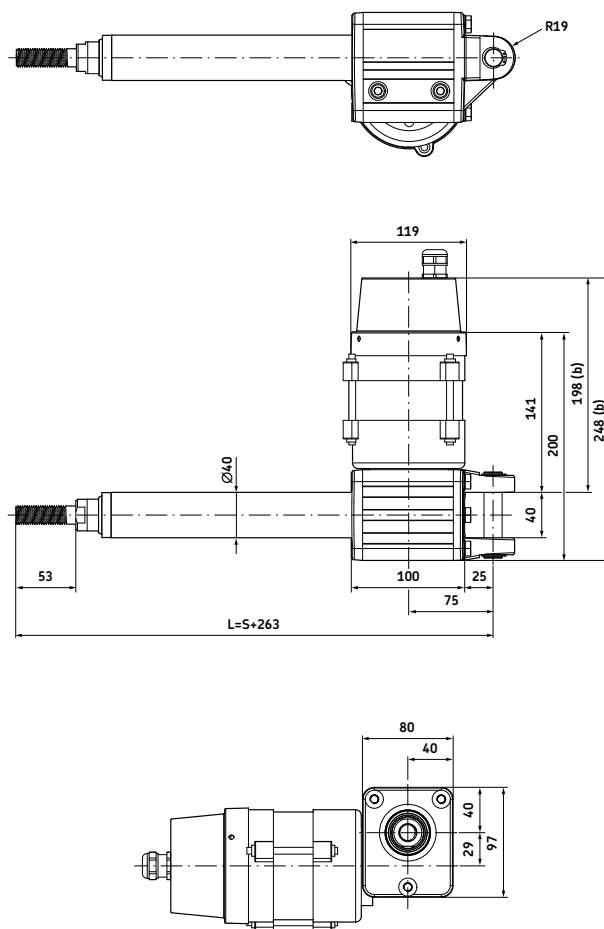
Suitable control units and accessories

	Control unit	Limit switch
	CAEV 110/220	
	E110D	•
	E110DB	•
	E220D	•
	E220DB	•
	CAES 31C	•

- Hand switch
- Foot switch
- Desk switch

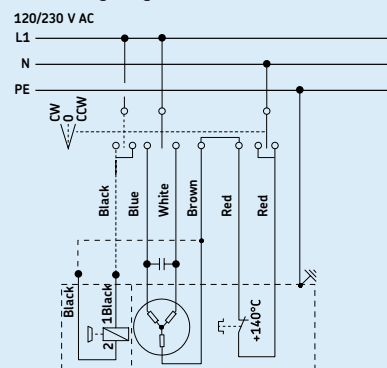
\* See page 379

Dimensional drawing – AC version



Legend:  
 S = stroke  
 L = retracted length  
 (b) = cover for brake ( D24CB)

Connecting diagram – AC version



Technical data

	Unit	CAR 40 – AC version
Rated push load	N	2 000 to 6 000
Rated pull load	N	2 000 to 6 000
Speed (at full load)	mm/s	9 to 40*
Stroke	mm	100 to 700
Retracted length	mm	S+263
Voltage	V AC	120 or 230
Power consumption	120 V AC W	360
	230 V AC W	299
Current consumption	120 V AC A	3 (brake +0,29 A)
	230 V AC A	1,3 (brake +0,11 A)
Duty cycle	%	40
Ambient temperature	°C	-20 to +70
Type of protection	IP	20/54
Weight	kg	5,8 to 8,4

\* Depending on selected motor

Suitable control units and accessories

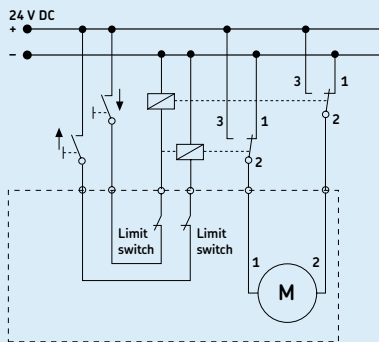
Limit switch

CAXB 40*	
D24D	●
D24DS	●
D24DB	●

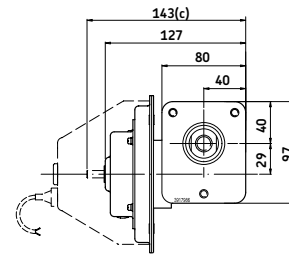
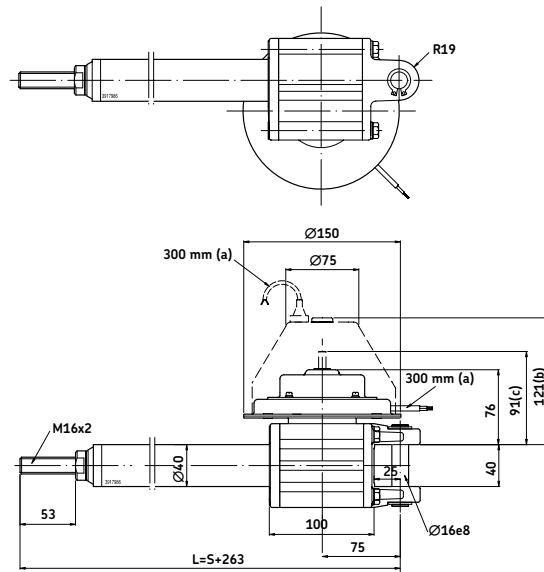
- Hand switch
- Foot switch
- Desk switch

\* See page 379

Connecting diagram – DC version



Dimensional drawing – DC version

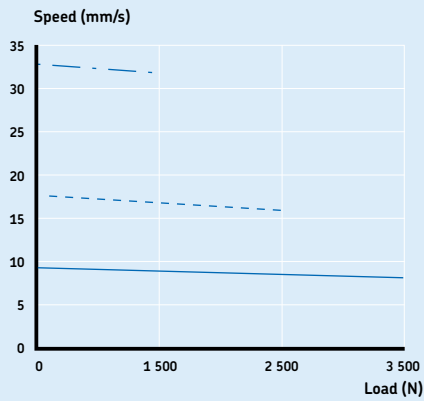


- Legend:
- S = stroke
  - L = retracted length
  - (a) = cable length
  - (b) = cover for brake (D24CB)
  - (c) = extended shaft (D24CS)

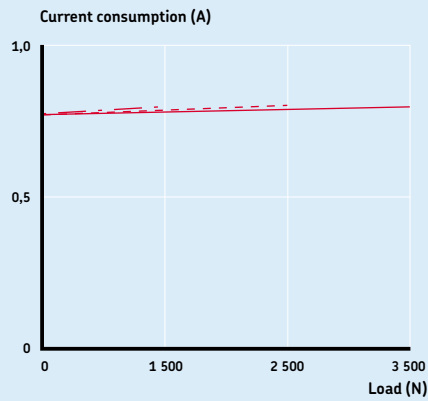
Technical data

	Unit	CAR 40 – DC version
Rated push load	N	2 000 to 6 000
Rated pull load	N	2 000 to 6 000
Speed (full load to no load)	mm/s	10 to 60
Stroke	mm	100 to 700
Retracted length	mm	S+263
Voltage	V DC	24
Power consumption	W	N/A
Current consumption	A	16
Duty cycle	%	25
Ambient temperature	°C	-20 to +70
Type of protection	IP	20/44
Weight	kg	5,8 to 8,4

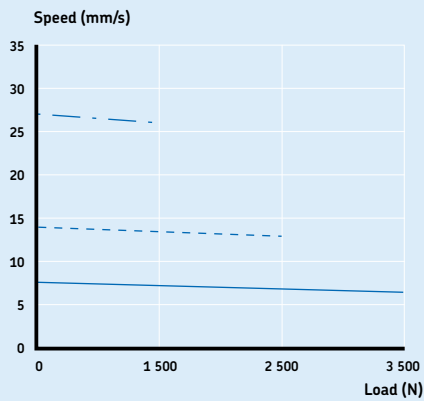
Performance diagrams – AC version



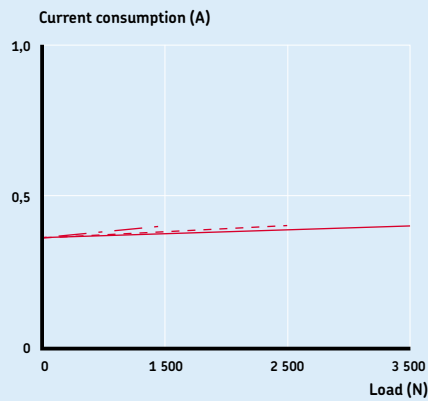
Speed-load diagram CAR 32 ... 120 VAC



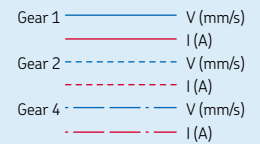
Current-load diagram CAR 32 ... 120 VAC



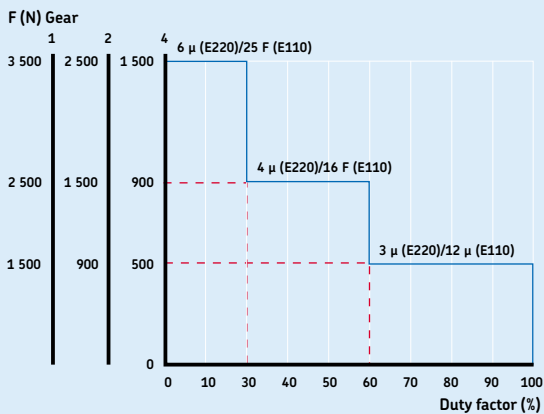
Speed-load diagram CAR 32 ... 230 VAC



Current-load diagram CAR 32 ... 230 VAC

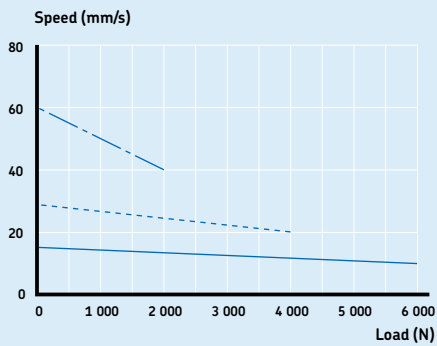


Duty cycle

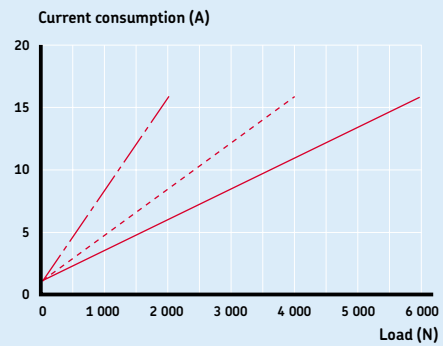


CAR 32 ... 230/120 VAC

Performance diagrams – DC version



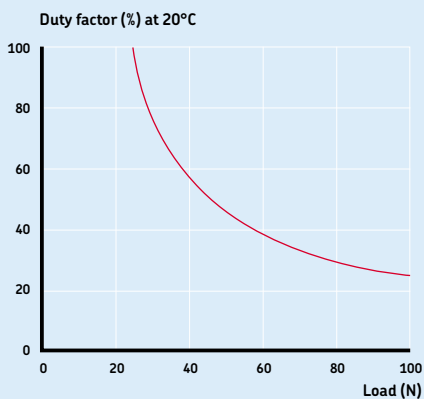
Speed-load diagram CAR 40 ... 24 V DC

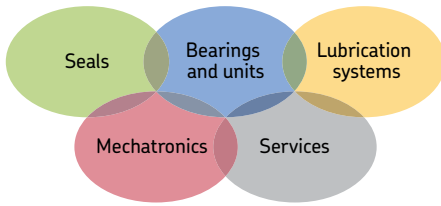


Current-load diagram CAR 40 ... 24 V DC



Duty cycle



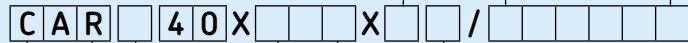


### The Power of Knowledge Engineering

Drawing on five areas of competence and application-specific expertise amassed over more than 100 years, SKF brings innovative solutions to OEMs and production facilities in every major industry world-wide. These five competence areas include bearings and units, seals, lubrication systems, mechatronics (combining mechanics and electronics into intelligent systems), and a wide range of services, from 3-D computer modelling to advanced condition monitoring and reliability and asset management systems. A global presence provides SKF customers uniform quality standards and worldwide product availability.

#### Ordering key

Dynamic load (N) / Speed (mm/s)			Motor options	
6 000/xx	4 000/xx	2 000/xx	No motor	0000
6 000/10	4 000/20	2 000/40	120 V AC/60 Hz, 1-phase, IP54	E110D
6 000/10	4 000/20	2 000/40	120 V AC/60 Hz, 1-phase, brake, IP20	E110DB
6 000/9	4 000/17	2 000/34	230 V AC/50 Hz, 1-phase, IP54	E220D
6 000/9	4 000/17	2 000/34	230 V AC/50 Hz, 1-phase, brake, IP20	E220DB
6 000/xx	4 000/xx	2 000/xx	No motor	0000
6 000/15-10	4 000/30-20	2 000/60-40	24 V DC, flat motor, IP44	D24D
6 000/15-10	4 000/30-20	2 000/60-40	24 V DC, flat motor, extended shaft, IP44	D24DS
6 000/15-10	4 000/30-20	2 000/60-40	24 V DC, flat motor, brake, IP20	D24DB
<b>1</b>	<b>2</b>	<b>4</b>		



#### Type

#### Motor assembly:

Right  
Left

R  
L

#### Stroke (S):

100 mm  
300 mm  
500 mm  
700 mm

100  
300  
500  
700

*Other stroke lengths*

---

#### Option:

Friction clutch  
Back-up nut

F  
S

*Options shown in italics are only available on demand. Contact SKF for more information on minimum quantities and additional costs.*

