

Rotary actuator

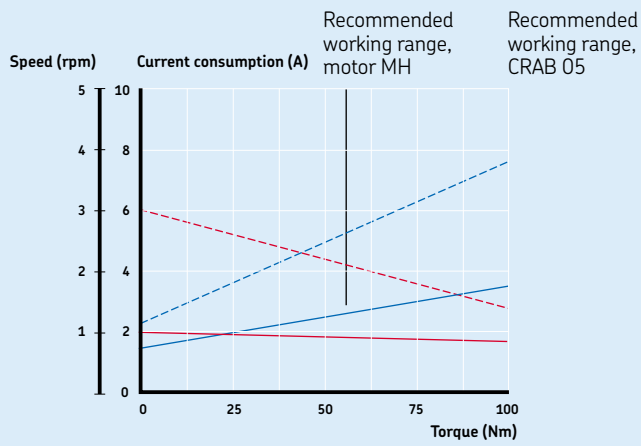
CRAB 05

Benefits

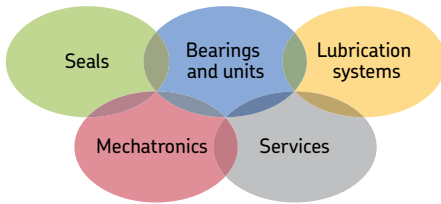
- Multiple output shafts
- Multiple motor options
- Small and compact



Performance diagram



Values given at 20 °C and with tolerances of ±20%.



The Power of Knowledge Engineering

Drawing on five areas of competence and application-specific expertise amassed over more than 100 years, SKF brings innovative solutions to OEMs and production facilities in every major industry worldwide. These five competence areas include bearings and units, seals, lubrication systems, mechatronics (combining mechanics and electronics into intelligent systems), and a wide range of services, from 3-D computer modelling to advanced condition monitoring and reliability and asset management systems. A global presence provides SKF customers uniform quality standards and worldwide product availability.

Ordering key

C R A B 0 5

Type

Coating:

Black chromium-plated
Natural chromium-plated

Motor shaft connection:

D-hole
Hexagonal hole

Attachment/connection:

Outer connection ears (see Fig. A)
Centre connection hexagonal 32 mm (see Fig. B only option "C" and "H")

Motors:

No motor
24 V DC for motor shaft connection "D"
24 V DC for motor shaft connection "H"

Connection shaft:

No shaft
D-shaft
Hexagonal shaft

00
MD
MH

00
SD
SH

Fig. A

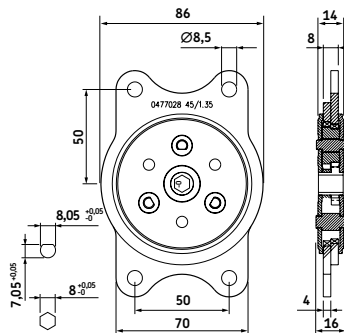
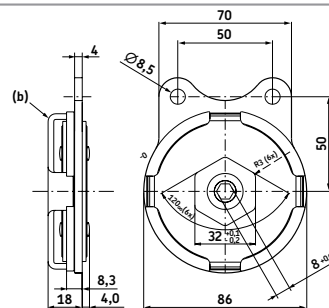


Fig. B



© SKF is a registered trademark of the SKF Group

© SKF Group 2010

The contents of this publication are the copyright of the publisher and may not be reproduced (even extracts) unless prior written permission is granted. Every care has been taken to ensure the accuracy of the information contained in this publication but no liability can be accepted for any loss or damage whether direct, indirect or consequential arising out of the use of the information contained herein.

PUB MT/P8 10970 EN · August 2010

Printed in Sweden on environmentally friendly paper.

