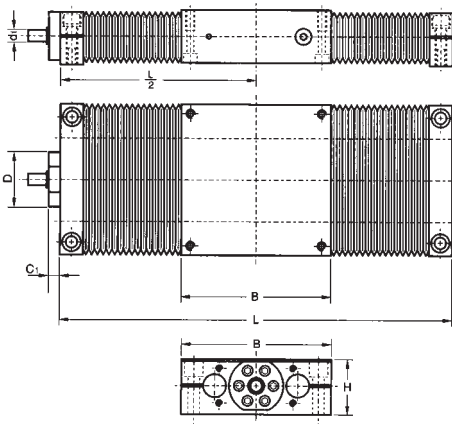


# Linear ball bearing slides



**LZBB (on request)**

Linear ball bearing slides with closed housing and ball screw

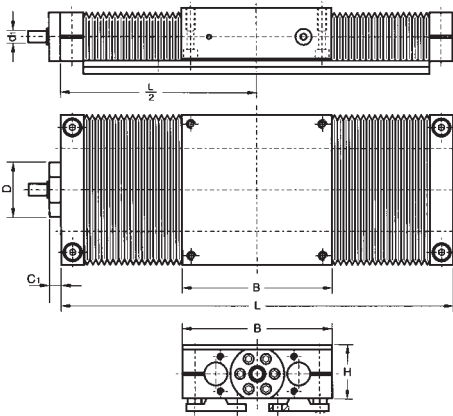


Designations	Dimensions			Nominal stroke*		Screw data			
	B	H	L	S <sub>1</sub>	S <sub>2</sub>	n <sub>max</sub>	d <sub>1</sub>	D	C <sub>1</sub>
	mm					1/min	mm		
LZBB 100.336.K1205	100	38	336	120	195	5100	6	38	24
LZBB 100.636.K1205	100	38	636	310	495	3450	6	38	24
LZBB 100.936.K1205	100	38	936	495	795	1600	6	38	24
LZBB 100.1236.K1205	100	38	1236	685	1095	920	6	38	24
LZBB 100.1536.K1205	100	38	1536	875	1395	600	6	38	24
LZBB 130.340.K1605	130	48	340	115	165	3800	10	47	28
LZBB 130.640.K1605	130	48	640	330	465	3800	10	47	28
LZBB 130.940.K1605	130	48	940	545	765	2150	10	47	28
LZBB 130.1240.K1605	130	48	1240	755	1065	1250	10	47	28
LZBB 130.1540.K1605	130	48	1540	970	1365	800	10	47	28
LZBB 130.1840.K1605	130	48	1840	1185	1665	560	10	47	28
LZBB 160.410.K2005	160	58	410	145	195	3050	12	55	36
LZBB 160.650.K2005	160	58	650	325	435	3050	12	55	36
LZBB 160.1010.K2005	160	58	1010	595	795	2450	12	55	36
LZBB 160.1250.K2005	160	58	1250	780	1035	1600	12	55	36
LZBB 160.1610.K2005	160	58	1610	1050	1395	960	12	55	36
LZBB 160.1850.K2005	160	58	1850	1230	1635	730	12	55	36
LZBB 180.350.K2005	180	67	350	80	115	3050	12	55	36
LZBB 180.650.K2005	180	67	650	300	415	3050	12	55	36
LZBB 180.950.K2005	180	67	950	515	715	2800	12	55	36
LZBB 180.1250.K2005	180	67	1250	740	1015	1600	12	55	36
LZBB 180.1550.K2005	180	67	1550	960	1315	1050	12	55	36
LZBB 180.1850.K2005	180	67	1850	1175	1615	730	12	55	36
LZBB 180.2150.K2005	180	67	2150	1400	1915	540	12	55	36
LZBB 180.2450.K2005	180	67	2450	1620	2215	420	12	55	36
LZBB 230.460.K2505	230	84	460	120	165	2450	14	68	36
LZBB 230.660.K2505	230	84	660	275	365	2450	14	68	36
LZBB 230.1060.K2505	230	84	1060	580	765	2450	14	68	36
LZBB 230.1260.K2505	230	84	1260	730	965	2050	14	68	36
LZBB 230.1660.K2505	230	84	1660	1035	1365	1200	14	68	36
LZBB 230.1860.K2505	230	84	1860	1185	1565	940	14	68	36
LZBB 230.2260.K2505	230	84	2260	1490	1965	640	14	68	36
LZBB 230.2460.K2505	230	84	2460	1640	2165	540	14	68	36
LZBB 230.2860.K2505	230	84	2860	1945	2565	400	14	68	36
LZBB 230.460.K2510	230	84	460	120	165	2450	14	68	36
LZBB 230.660.K2510	230	84	660	275	365	2450	14	68	36
LZBB 230.1060.K2510	230	84	1060	580	765	2450	14	68	36
LZBB 230.1260.K2510	230	84	1260	730	965	2050	14	68	36
LZBB 230.1660.K2510	230	84	1660	1035	1365	1200	14	68	36
LZBB 230.1860.K2510	230	84	1860	1185	1565	940	14	68	36
LZBB 230.2260.K2510	230	84	2260	1490	1965	640	14	68	36
LZBB 230.2460.K2510	230	84	2460	1640	2165	540	14	68	36
LZBB 230.2860.K2510	230	84	2860	1945	2565	400	14	68	36

\* Maximum stroke between end stops: S<sub>1</sub> with bellows (standard version); S<sub>2</sub> without bellows (special version)

**LZAB (on request)**

Linear ball bearing slides with open housing and ball screw



Designations	Dimensions			Nominal stroke*		Screw data			
	B	H	L	S <sub>1</sub>	S <sub>2</sub>	n <sub>max</sub>	d <sub>1</sub>	D	C <sub>1</sub>
	mm					1/min	mm		
LZAB 100.336.K1205	100	48	336	115	195	5100	6	38	24
LZAB 100.636.K1205	100	48	636	295	495	3450	6	38	24
LZAB 100.936.K1205	100	48	936	475	795	1600	6	38	24
LZAB 100.1236.K1205	100	48	1236	655	1095	920	6	38	24
LZAB 100.1536.K1205	100	48	1536	835	1395	600	6	38	24
LZAB 130.340.K1605	130	57	340	110	165	3800	10	47	28
LZAB 130.640.K1605	130	57	640	320	465	3800	10	47	28
LZAB 130.940.K1605	130	57	940	530	765	2150	10	47	28
LZAB 130.1240.K1605	130	57	1240	740	1065	1250	10	47	28
LZAB 130.1540.K1605	130	57	1540	950	1365	800	10	47	28
LZAB 130.1840.K1605	130	57	1840	1155	1665	560	10	47	28
LZAB 160.410.K2005	160	66	410	140	195	3050	12	55	36
LZAB 160.650.K2005	160	66	650	320	435	3050	12	55	36
LZAB 160.1010.K2005	160	66	1010	585	795	2450	12	55	36
LZAB 160.1250.K2005	160	66	1250	765	1035	1600	12	55	36
LZAB 160.1610.K2005	160	66	1610	1035	1395	960	12	55	36
LZAB 160.1850.K2005	160	66	1850	1210	1635	730	12	55	36
LZAB 180.350.K2005	180	77	350	85	115	3050	12	55	36
LZAB 180.650.K2005	180	77	650	320	415	3050	12	55	36
LZAB 180.950.K2005	180	77	950	550	715	2800	12	55	36
LZAB 180.1250.K2005	180	77	1250	785	1015	1600	12	55	36
LZAB 180.1550.K2005	180	77	1550	1020	1315	1050	12	55	36
LZAB 180.1850.K2005	180	77	1850	1250	1615	730	12	55	36
LZAB 180.2150.K2005	180	77	2150	1485	1915	540	12	55	36
LZAB 180.2450.K2005	180	77	2450	1720	2215	420	12	55	36
LZAB 230.460.K2505	230	95	460	120	165	2450	14	68	36
LZAB 230.660.K2505	230	95	660	275	365	2450	14	68	36
LZAB 230.1060.K2505	230	95	1060	580	765	2450	14	68	36
LZAB 230.1260.K2505	230	95	1260	730	965	2050	14	68	36
LZAB 230.1660.K2505	230	95	1660	1035	1365	1200	14	68	36
LZAB 230.1860.K2505	230	95	1860	1185	1565	940	14	68	36
LZAB 230.2260.K2505	230	95	2260	1490	1965	640	14	68	36
LZAB 230.2460.K2505	230	95	2460	1640	2165	540	14	68	36
LZAB 230.2860.K2505	230	95	2860	1945	2565	400	14	68	36
LZAB 230.460.K2510	230	95	460	120	365	2450	14	68	36
LZAB 230.660.K2510	230	95	660	275	365	2450	14	68	36
LZAB 230.1060.K2510	230	95	1060	580	765	2450	14	68	36
LZAB 230.1260.K2510	230	95	1260	730	965	2050	14	68	36
LZAB 230.1660.K2510	230	95	1660	1035	1365	1200	14	68	36
LZAB 230.1860.K2510	230	95	1860	1185	1565	940	14	68	36
LZAB 230.2260.K2510	230	95	2260	1490	1965	640	14	68	36
LZAB 230.2460.K2510	230	95	2460	1640	2165	540	14	68	36
LZAB 230.2860.K2510	230	95	2860	1945	2565	400	14	68	36

\* Maximum stroke between end stops: S<sub>1</sub> with bellows (standard version); S<sub>2</sub> without bellows (special version)

Linear ball bearing table with drive

Ordering key

	LZ		230	1060	K	2505
<b>Type</b>						
<b>Design:</b>						
Open design .....						AB
Closed design .....						BB
<b>Slide width B [mm]:</b>						
See tables						
<b>Total length of slide unit L [mm]:</b>						
See tables						
<b>Screw Ø [mm] - screw lead [mm]:</b>						
Screw Ø 12 - screw lead 05 .....						12 05
Screw Ø 16 - screw lead 05 .....						16 05
Screw Ø 20 - screw lead 05 .....						20 05
Screw Ø 25 - screw lead 05 .....						25 05
Screw Ø 25 - screw lead 10 .....						25 10

Example: LZ AB 230 1060 K 2505