

CAJA35C

Linear actuator



Quick-release solution for fast CPR intervention



Detachable cable for quick assembly and service



Integrated brake to maintain self-locking and stability under maximum static load in compression

Technical data

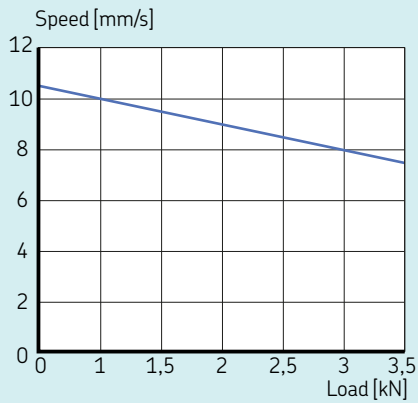
	Unit	CAJA35C
Push load	N	3 500
Speed (full load to no load)	mm/s	7,5 to 10,5
Stroke	mm	30 to 250
Retracted length ¹⁾	mm	S+180 ²⁾
Voltage	V DC	24-41
Current consumption	A	4
Duty cycle	%	10
Ambient temperature	°C	+10 to +40
Type of protection	IP	56
Weight	kg	2,5
Color	–	Grey

¹⁾ Tolerance ± 3 mm

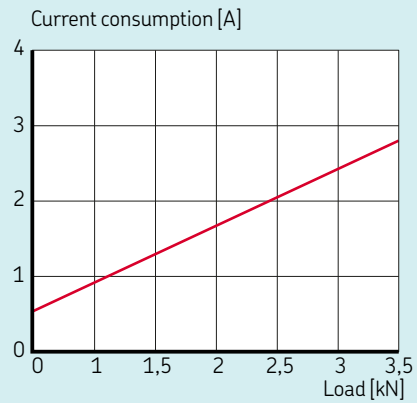
²⁾ Retracted length +3 mm if U fork used as front attachment (L= S+183)

Performance diagrams

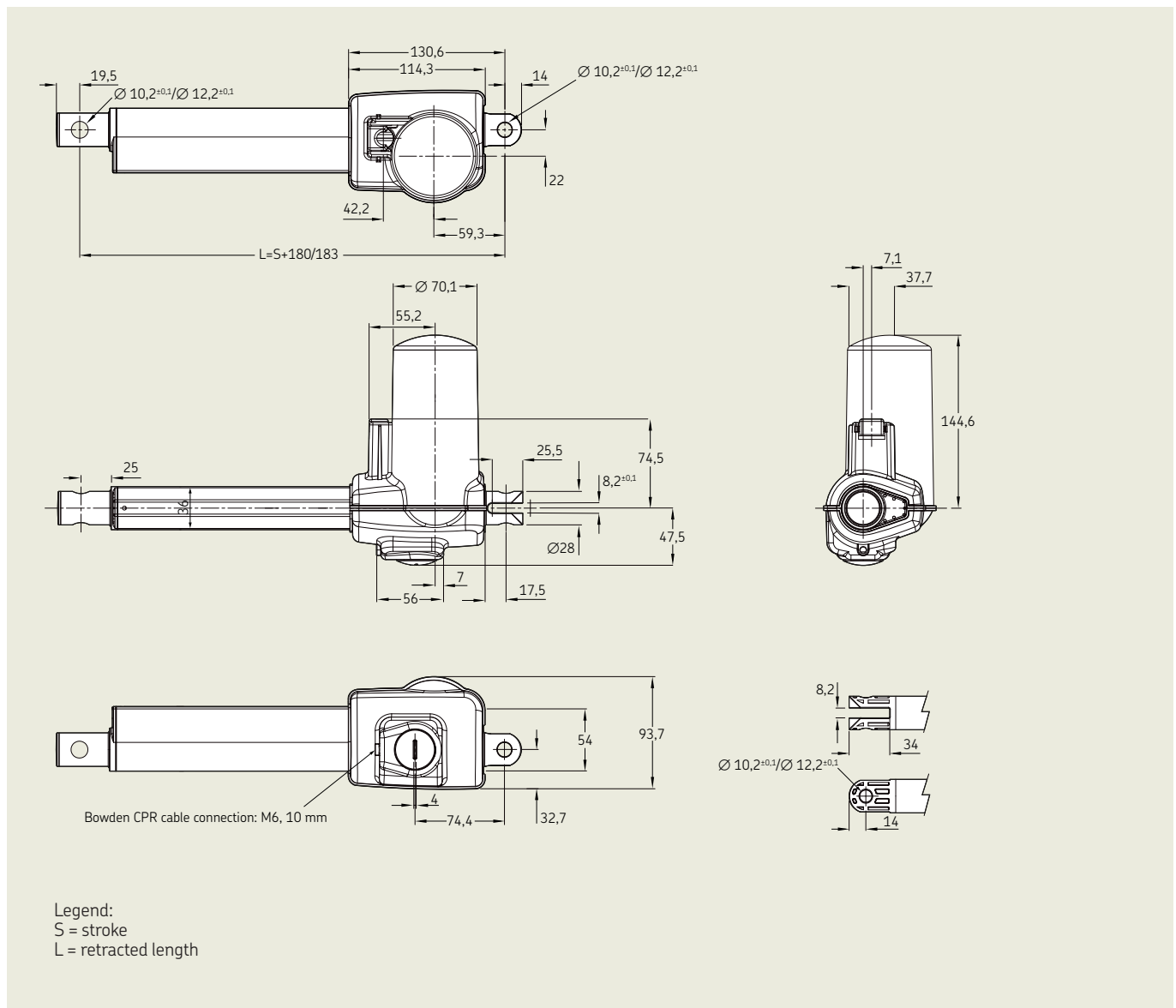
Speed-load diagram



Current-load diagram

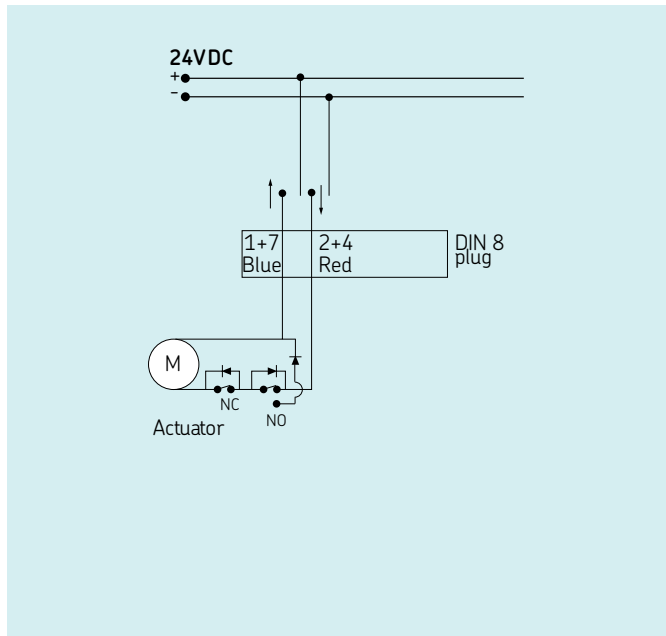


Dimensional drawing









C

Connecting diagram – DC version

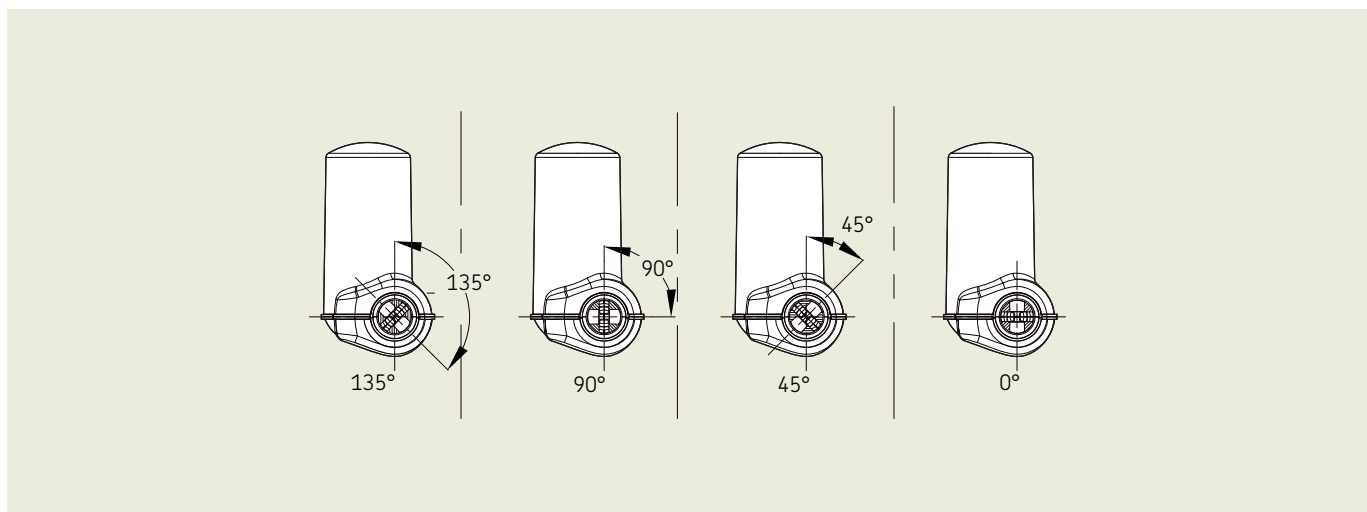


Suitable control units and accessories

	Control unit		
	BCU	VCU	SCU
CAJA 35C	●	●	●
Operating switches			
EHA3 	●	●	●
STE 	●	●	●
STJ 	●	●	●

 Hand switch
  Foot switch
  Desk switch

Orientation



Accessories

Straight motor cable	Length [mm]
G517C0-094001-0460	460
G517C0-094001-1350	1 350
G517C0-094001-2650	2 650

Ordering key

	C	A	J	A	3	5	C	-		-		-			U	6					
Type																					
Stroke																					
100 mm																					
200 mm																					
250 mm																					
All other customized strokes between 30-250 mm																					
Retracted length																					
U-fork, metal, Ø 10,2 mm																					
U-fork, metal, Ø 12,2 mm																					
Front attachment																					
Tube with hole and metal bushings, Ø 10,2 mm																					
Tube with hole and metal bushings, Ø 12,2 mm																					
U-fork end, metal, Ø 10,2 mm (increase "L" by 3 mm)																					
U-fork end, metal, Ø 12,2 mm (increase "L" by 3 mm)																					
Attachment orientation (clockwise)																					
0°																					
45°																					
90°																					
135°																					
Housing material																					
ABS UL94 V0																					
Protection class (with power cables M6, 10 mm connected)																					
IP56																					
Option 1:																					
No option																					
Antipinching solution ("push only" actuator)																					
Option 2:																					
No option																					
With back-up nut (for "push" load)																					
Option 3:																					
No option																					
Motor with thermoswitch																					
Customization																					





skfmotiontechnologies.com

© SKF is registered trademarks of the SKF Group.

© SKF Group 2018

The contents of this publication are the copyright of the publisher and may not be reproduced (even extracts) unless prior written permission is granted. Every care has been taken to ensure the accuracy of the information contained in this publication but no liability can be accepted for any loss or damage whether direct, indirect or consequential arising out of the use of the information contained herein.

PUB MT/P8 10358/1 EN · November 2018