

Telescopic pillar TLC



Push or pull load



High bending load



Quiet



Powerful



Plug and play



Standards
EN/IEC 60601-1
UL 60601-1

TLC

Telemag telescopic pillar



Benefits

- Push or pull load
- High bending load
- Quiet
- Powerful
- Plug and play

Standards

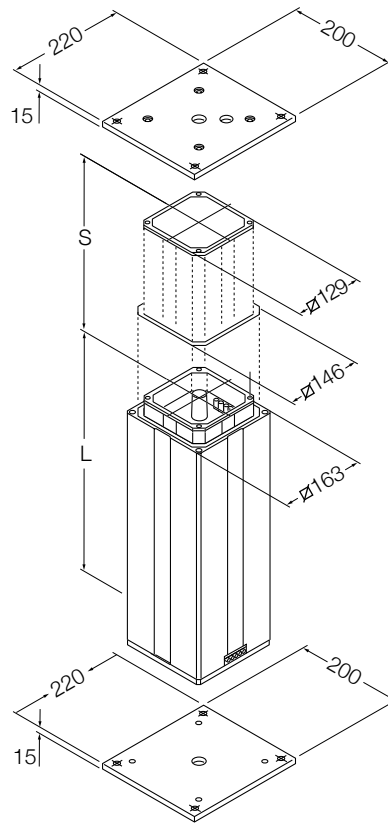
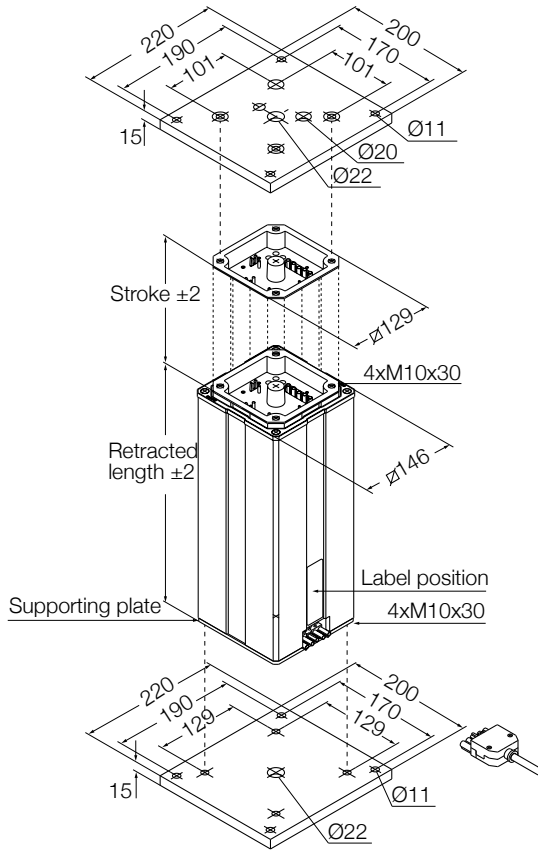
- EN/IEC 60601-1
- UL 60601-1

Technical data

		Unit	TLC 12ZWAS	TLC 12ZWAK	TLC 12ZWDS	TLC 12ZWDK
Rated push load		N	4 000	4 000	4 000	4 000
Rated pull load		N	4 000	4 000	4 000	4 000
Bending load		Nm	up to 630 ¹⁾	up to 630 ¹⁾	up to 2 100 ¹⁾	up to 2 100 ¹⁾
Speed (full load to no load)	120 V AC	mm/s	16 to 22	16 to 22	16 to 22	16 to 22
	230 V AC	mm/s	11 to 17	11 to 17	11 to 17	11 to 17
Telescopic pillar version		# of section	2-section	2-section	3-section	3-section
Stroke		mm	100 to 700	100 to 700	255 to 700	255 to 700
Retracted length (push version)		mm	S+175	S+175	S+60	S+60
Retracted length (pull version)		mm	S+185	S+185	S+70	S+70
Voltage		V AC	120 or 230	120 or 230	120 or 230	120 or 230
Power	120 V AC	W	1 200	1 200	1 200	1 200
	230 V AC	W	890	890	890	890
Current	120 V AC	A	10	10	10	10
	230 V AC	A	4,1	4,1	4,1	4,1
Duty cycle: intermittent operation	120 V AC	min.	0,8 min./37 min.	0,8 min./37 min.	0,8 min./37 min.	0,8 min./37 min.
	230 V AC	min.	1 min./37 min.	1 min./37 min.	1 min./37 min.	1 min./37 min.
Duty cycle: short-time operation	120 V AC	min.	1,2	1,2	1,2	1,2
	230 V AC	min.	2	2	2	2
Ambient temperature		°C	+10 to +40	+10 to +40	+10 to +40	+10 to +40
Type of protection		IP	20/30	20/30	20/30	20/30
Protection class		–	I	I	I	I
Type of control		–	electrical	pneumatic	electrical	pneumatic
Weight		kg	15,2-24,5	15,2-24,5	18,3-30,5	18,3-30,5

¹⁾ For details, please see bending load diagrams (↳ page 4)

Dimensional drawing

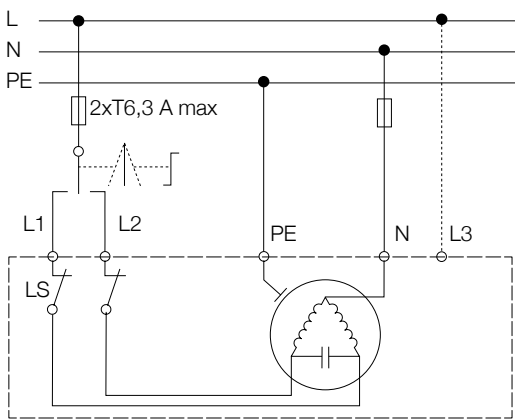


Note: mounting plates are not included. To be ordered separately.

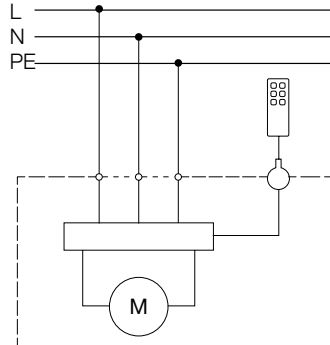
Legend:
S = stroke
L = retracted length

Connecting diagrams

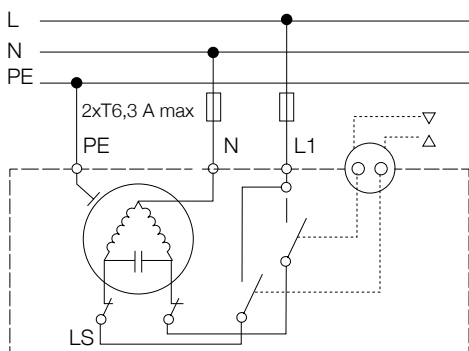
Electric



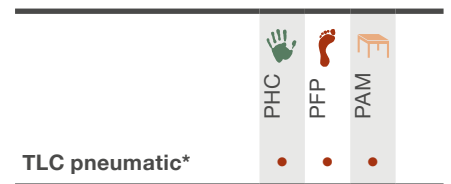
120-230 V AC



Pneumatic



Suitable control units and accessories



* Integrated control unit

Hand switch

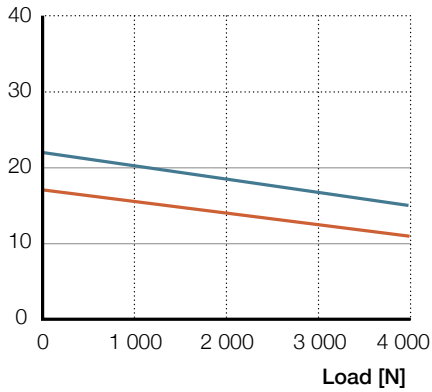
Foot switch

Desk switch

Performance diagram

Speed-load diagram

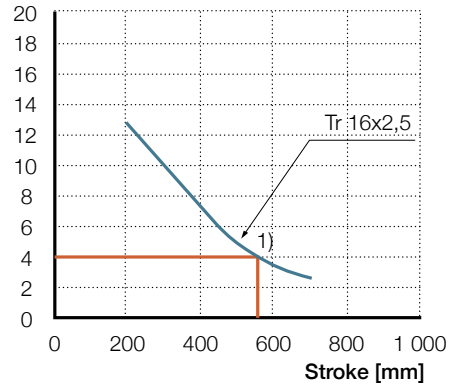
Speed [mm/s]



— 120 V AC version — 230 V AC version

Safety factor load conditions

Safety factor [screw buckling]

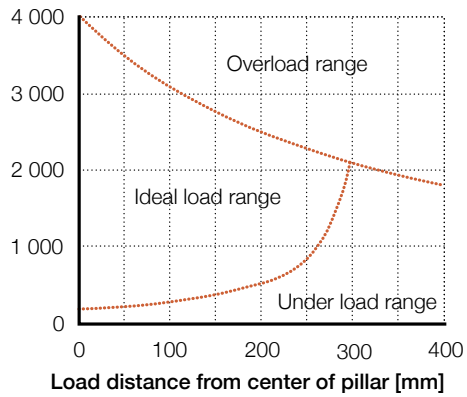


¹⁾ Safety factor = 4

Bending load diagrams

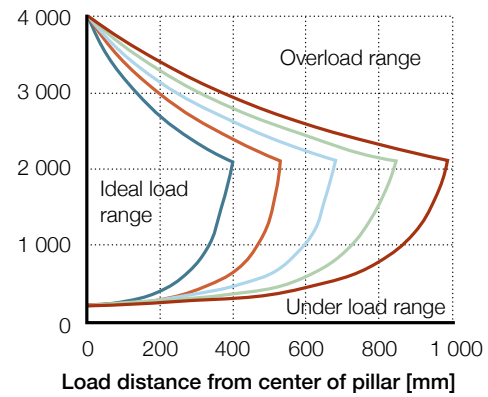
Bending load diagram 2-section

Load [N]



Bending load diagram 3-section

Load [N]



— 300 — 400 — 500 — 600 — 700

Accessories

	Designation	Order number
Top mounting plate for 2× tube set	ZPL-290268	0125624
Bottom mounting plate for 2× tube set	ZPL-290351	0125625
Top mounting plate for 3× tube set	ZPL-290268	0125624
Bottom mounting plate for 3× tube set	ZPL-290265	0125623
Screw (4/plate) for mounting plate	ZBE-510707	0125360
Plug AC Telemag 3 pin	ZEL-265518	0124866
Plug AC Telemag 5 pin	ZEL-265519	0124864

Ordering key

T L C 1 2 W - 0

Type

Load

Z 4 000 N

Tube set

A Tube set 2×
D Tube set 3×

Control

S Electrical control
K Pneumatic control
N **Low-voltage control**

Voltage

- 230 V AC/50 Hz (no code)
2U 120 V AC/60 Hz

Construction

0 Push load
1 **Customer-specific**
3 Pull load

Stroke [S]

1 100 mm, only for tube set 2×, push
1 255 mm, only for tube set 3×, push
2 200 mm, only for tube set 2×
3 300 mm
4 400 mm
5 500 mm
6 600 mm
7 700 mm



ewellix.com

© Ewellix

All contents of this publication are the property of Ewellix, and may not be reproduced or given to third parties (even extracts) without permission. Although great care has been taken in the production of this catalog, Ewellix does not take any responsibility for damage or other loss resulting from omissions or typographical errors. The photo may differ slightly in appearance from the actual product. Due to continuous improvements being made in our products, the product's appearance and specifications are subject to change without notice.